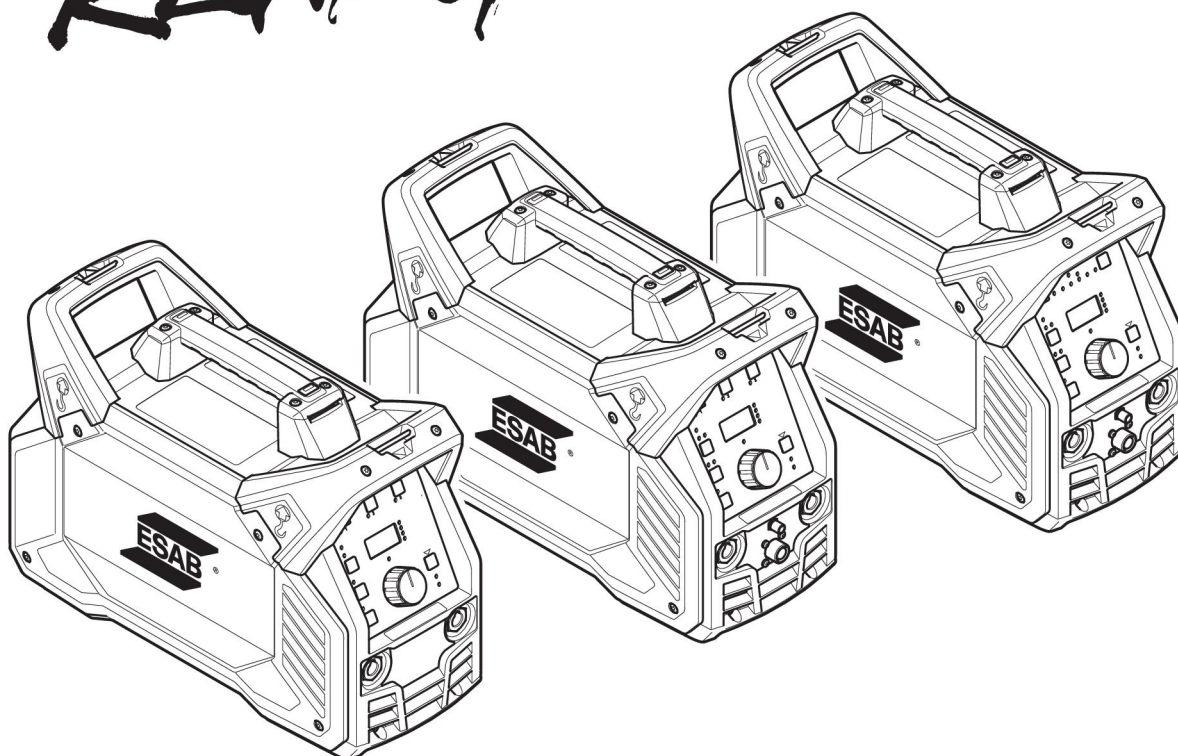




ES 300i, ET 300i, ET 300iP

Welding power source

RENEGADE™



Spare parts list

| Ordering no. | Product | Notes | Serial no. |
|---------------------|----------------|--------------------|--------------------------------------|
| 0445 100 880 | ES 300i | Europe, CE | 627-, 719-, 725-, 742-, 815-xxx-xxxx |
| 0445 100 881 | ES 300i | North America, CSA | 643-, 719-, 742-xxx-xxxx |
| 0445 100 882 | ES 300i | South America | 643-, 719-, 742-xxx-xxxx |
| 0445 100 883 | ES 300i | Australia, CE | 627-, 719-, 725-, 742-xxx-xxxx |
| 0445 100 900 | ET 300i | Europe, CE | 721-, 742-, 815-xxx-xxxx |
| 0445 100 903 | ET 300i | Australia, CE | 721-, 742-xxx-xxxx |
| 0445 100 920 | ET 300iP | Europe, CE | 721-, 742-, 815-xxx-xxxx |
| 0445 100 921 | ET 300iP | North America | 721-, 742-xxx-xxxx |
| 0445 100 922 | ET 300iP | South America | 721-, 742-xxx-xxxx |
| 0445 100 923 | ET 300iP | Australia, CE | 721-, 742-xxx-xxxx |

Spare parts may be ordered through your nearest ESAB dealer, see esab.com. When ordering, please state product type, serial number, denominations and ordering numbers according to the spare parts list. This facilitates dispatch and ensures correct delivery.

Maintenance and repair work should be performed by an experienced person, and electrical work only by a trained electrician. Use only recommended spare parts.

| | |
|---|-----------|
| SPARE PARTS | 4 |
| Housing module | 4 |
| Primary module | 6 |
| Secondary module | 8 |
| Transformer module | 10 |
| Output inductor module | 11 |
| Setting panel module - ES 300i EU & AU | 12 |
| Setting panel module - ES 300i NA & SA | 13 |
| Setting panel module - ET 300i, ET 300iP EU & AU | 14 |
| Setting panel module - ET 300iP NA & SA | 15 |
| PS control module | 16 |
| WP module MMA | 18 |
| WP module TIG | 19 |
| Input module - EU & AU | 20 |
| Input module - NA & SA | 21 |

SPARE PARTS

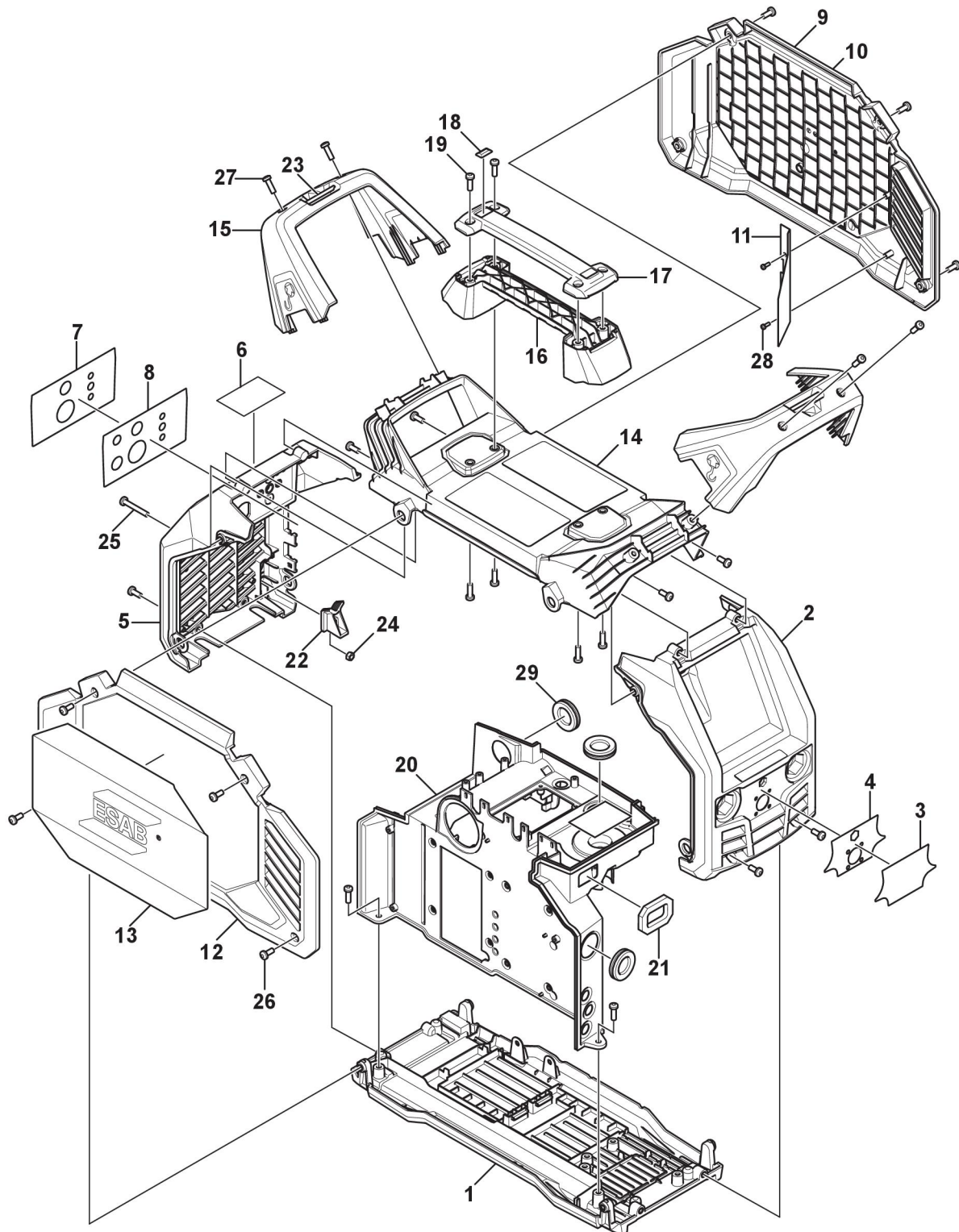
Housing module**C = Component designation in the circuit diagram**

| Item | Qty | Ordering no. | Denomination | Notes | C |
|------|-----|--------------|--------------------------|--------------------|---|
| 1 | 1 | 0465 953 001 | Bottom panel | | |
| 2 | 1 | | Front panel | See item 50 and 51 | |
| 3 | 1 | | Front decal MMA | See item 50 and 51 | |
| 4 | 1 | | Front decal TIG | See item 50 and 51 | |
| 5 | 1 | | Rear panel | See item 52 and 53 | |
| 6 | 1 | | PS0 Lifting instructions | See item 52 and 53 | |
| 7 | 1 | | Rear decal MMA | See item 52 and 53 | |
| 8 | 1 | | Rear decal TIG | See item 52 and 53 | |
| 9 | 1 | | Side panel right | See item 54 | |
| 10 | 1 | | Side panel overlay | See item 54 | |
| 11 | 1 | | IP Shield | See item 54 | |
| 12 | 1 | | Side panel left | See item 55 | |
| 13 | 1 | | Side panel overlay | See item 55 | |
| 14 | 1 | 0465 951 001 | Top panel | | |
| 15 | 2 | 0465 952 001 | Handle cover | | |
| 16 | 1 | 0464 536 001 | Handle top, base | | |
| 17 | 1 | | Handle top, cover | See item 56 | |
| 18 | 2 | | ESAB label | See item 56 | |
| 19 | 4 | | Screw | See item 56 | |
| 20 | 1 | 0465 964 001 | Intermediate wall | | |
| 21 | 1 | 0445 120 001 | Cable passage gasket | | |
| 22 | 1 | 0464 538 001 | Stopping block | | |
| 23 | 2 | 0445 129 001 | Pin | | |
| 24 | 1 | | Nut | M5 6K Steel 8.8 | |
| 25 | 1 | | Screw | MRT M5×35 black | |
| 26 | 16 | | Screw | MRT M5×12 black | |
| 27 | 14 | | Screw | Remform 5×16 black | |
| 28 | 2 | | Screw | Remform Torx 3×8 | |
| 29 | 1 | 0194 069 002 | Rubber inlet | 28 mm | |

| Item | Qty | Ordering no. | Denomination | Notes | C |
|------|-----|--------------|-----------------|---|---|
| 50 | 1 | 0464 567 880 | Front panel MMA | Incl. front panel with decal. | |
| 51 | 1 | 0464 567 881 | Front panel TIG | Incl. front panel with decal. | |
| 52 | 1 | 0464 568 882 | Rear panel MMA | From serial no. 719-. Incl. front panel with decal. | |
| | 1 | 0464 568 880 | Rear panel MMA | Before serial no. 719-. Incl. rear panel with decals. | |

| Item | Qty | Ordering no. | Denomination | Notes | C |
|------|-----|--------------|------------------|-------------------------------|---|
| 53 | 1 | 0464 568 881 | Rear panel TIG | Incl. rear panel with decals. | |
| 54 | 1 | 0464 566 880 | Side panel right | Incl. side panel with decal. | |
| 55 | 1 | 0464 566 881 | Side panel left | Incl. cover with decals. | |
| 56 | 1 | 0464 565 880 | Top handle kit | Incl. cover with decals. | |

Housing module

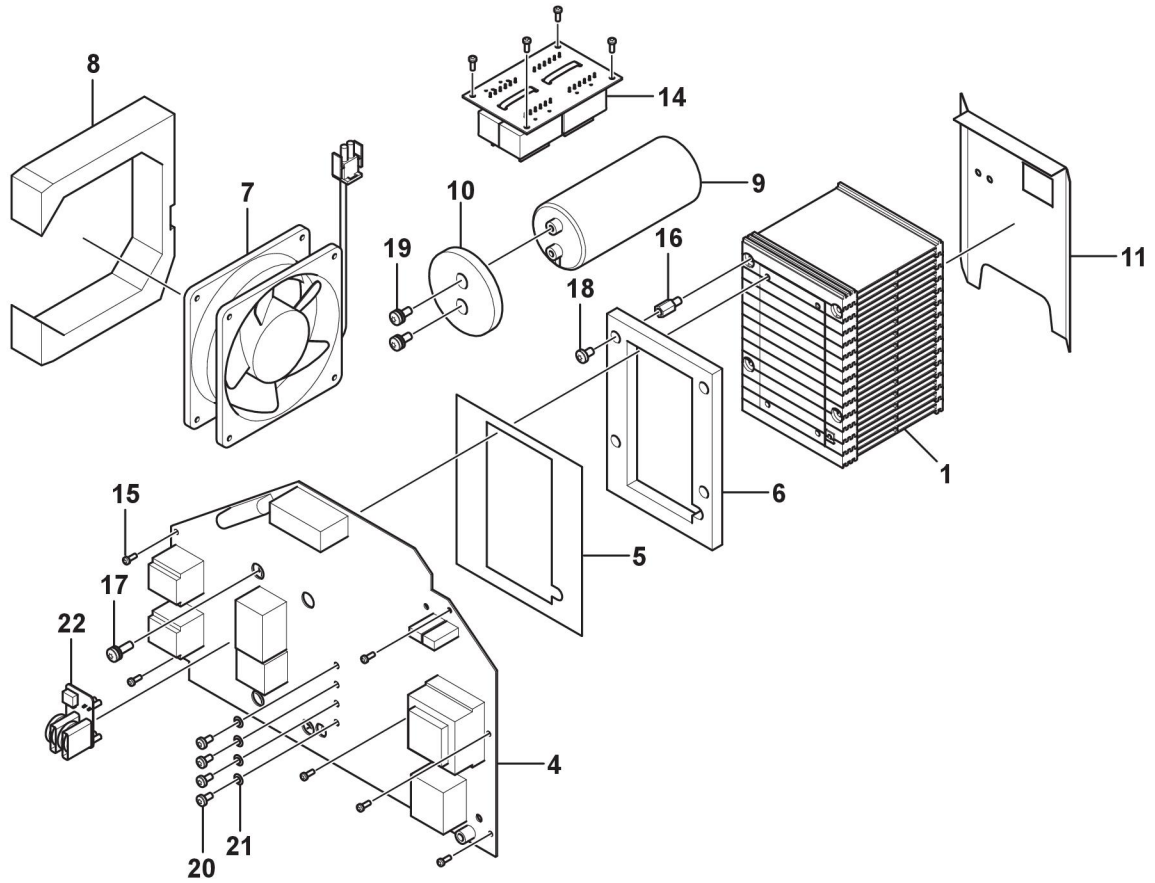


Primary module

C = Component designation in the circuit diagram

| Item | Qty | Ordering no. | Denomination | Notes | C |
|------|-----|--------------|-----------------------------|---------------------------|-------|
| 1 | 1 | | Primary heat sink | | |
| 4 | 1 | | PCBA power board | See item 60 | 15AP1 |
| 6 | 1 | 0445 050 001 | Module seal | | |
| 7 | 1 | 0445 079 880 | PS0 fan complete | | 15EV1 |
| 8 | 1 | 0445 049 001 | Fan foam | | |
| 9 | 1 | 0462 178 002 | Capacitor | | 15C1 |
| 10 | 1 | 0445 051 001 | Capacitor foam | | |
| 11 | 1 | | Air baffle | See item 61 | |
| 14 | 1 | 0445 092 880 | PFC Inductor board assembly | | |
| 15 | 10 | | Screw | Reform Torx 3×8 | |
| 16 | 4 | | Spacing screw | M5×12 | |
| 17 | 4 | | Screw MRT combi | M5×16 Torx | |
| 18 | 6 | | Screw | MRT M5×8 black | |
| 19 | 2 | | Screw MRT combi | M5×12 Torx | |
| 20 | 4 | | Screw | MRT M4×8 black | |
| 21 | 4 | | Cup spring A-8-1 | 8/4.2/0.4 | |
| 22 | 1 | 0440 237 880 | Surge protection board | Replaces varistor harness | |

| Item | Qty | Ordering no. | Denomination | Notes | C |
|------|-----|--------------|-----------------|--|---|
| 60 | 1 | 0464 563 881 | Power board kit | Including PCBA, nomex sheet, thermal compound and screws | |
| 61 | 1 | 0464 564 880 | Air baffle kit | Including decals | |



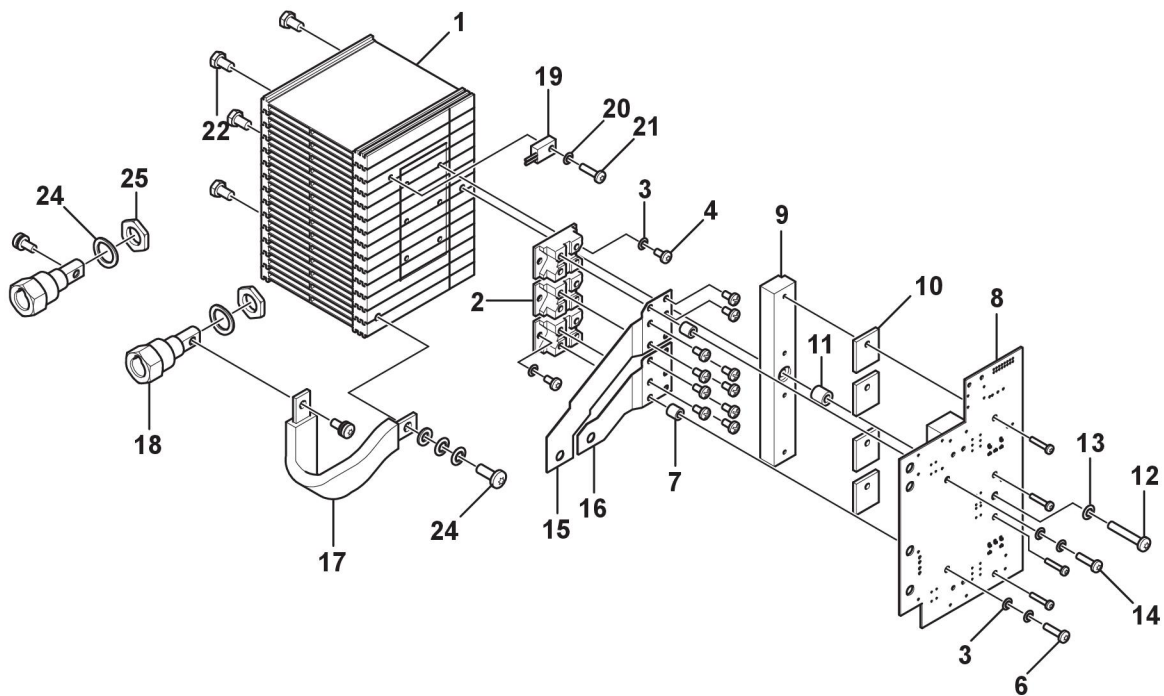
Secondary module

C = Component designation in the circuit diagram

| Item | Qty | Ordering no. | Denomination | Notes | C |
|------|-----|--------------|------------------------|--------------|-----------------|
| 1 | 1 | | Secondary heat sink | | |
| 2 | 3 | | Diode | See item 70 | 15PM2– 15PM4 |
| 3 | 10 | | Cup spring A-8-1 | 8/4.2/0.4 | |
| 4 | 6 | | Screw MRT | M4×8 black | |
| 6 | 2 | | Screw MRT | M4×16 black | |
| 7 | 2 | | Spacer | 8 mm×4.3 mm | |
| 8 | 1 | | PCBA Booster board | See item 71 | 27AP1 |
| 9 | 1 | | Heat sink bar | See item 71 | |
| 10 | 4 | | Ceramic plate | See item 71 | |
| 11 | 1 | | Spacer | 10 mm×5.3 mm | |
| 12 | 1 | | Screw MRT | M5×30 | |
| 13 | 1 | | Cup spring A-10-1 | 10/5.2/0.5 | |
| 14 | 4 | | Screw MRT | M3×16 black | |
| 15 | 1 | 0445 066 001 | Copper bar upper diode | | |
| 16 | 1 | 0445 067 001 | Copper bar lower diode | | |
| 17 | 1 | 0445 165 001 | Flex copper bar lower | | |
| 18 | 2 | 0160 362 025 | OKC | | |
| 19 | 1 | | Thermo switch harness | See item 72 | 27SW1 |
| 20 | 1 | | Screw MRT | M4×16 | |
| 21 | 1 | | Cup spring A-8-1 | 8/4.2/0.4 | |
| 22 | 4 | | Nylon screw M6×10 | | |
| 23 | 2 | | Screw MRT combi | M5×12 Torx | |
| 24 | 1 | | Screw MRT combi | M6×16 | |
| 25 | 2 | 0366 247 001 | Nut OKC25 21×3 M14 | | |
| 26 | 2 | | Spring washer | | |

SPARE PARTS

| Item | Qty | Ordering no. | Denomination | Notes | C |
|------|-----|--------------|-------------------|---|---|
| 70 | 1 | 0464 570 880 | Diode kit | Incl. diodes, thermal compound, screws, cup springs, spacers and thermal compound | |
| 71 | 1 | 0464 569 880 | Booster board kit | For ES 300i. Incl. PCBA, heat sink bar, ceramic plates, screws, cup springs, spacers and thermal compound | |
| | 1 | 0464 569 881 | Booster board kit | For ET 300i, ET 300iP. Incl. PCBA, heat sink bar, ceramic plates, screws, cup springs, spacers and thermal compound | |
| 72 | 1 | 0464 571 880 | Thermo switch kit | Incl. thermo switch, screw, cup spring and thermal compound | |

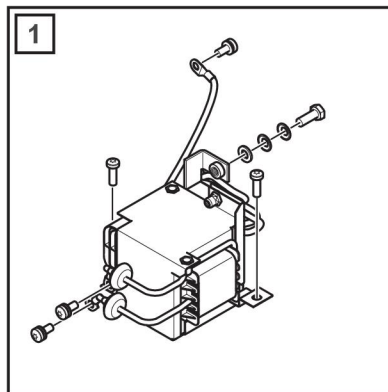


Transformer module

C = Component designation in the circuit diagram

| Item | Qty | Ordering no. | Denomination | Notes | C |
|------|-----|--------------|------------------------------|--------------|------|
| 1 | 1 | | Transformer module | | |
| | 1 | | Transformer | | 16T1 |
| | 1 | | Transformer bracket | | |
| | 1 | | Transformer clamp | | |
| | 3 | | Screw MRT combi | M6×16 | |
| | 3 | | Screw MRT combi torx (Combi) | M5×12 | |
| | 4 | | Cup A-10-1 | 10/5.2×0.5 | |
| | 2 | | Screw Remform | 5×16 black | |
| | 1 | | Spacer | 10 mm×5.3 mm | |
| | 1 | | Screw MRT | M5×8 | |
| | 1 | | Screw MRT | M5×16 | |

| Item | Qty | Ordering no. | Denomination | Notes | C |
|------|-----|--------------|---------------------|-------|---|
| 101 | 1 | 0464 585 880 | Transformer kit CE | | |
| 102 | 1 | 0464 585 881 | Transformer kit CSA | | |

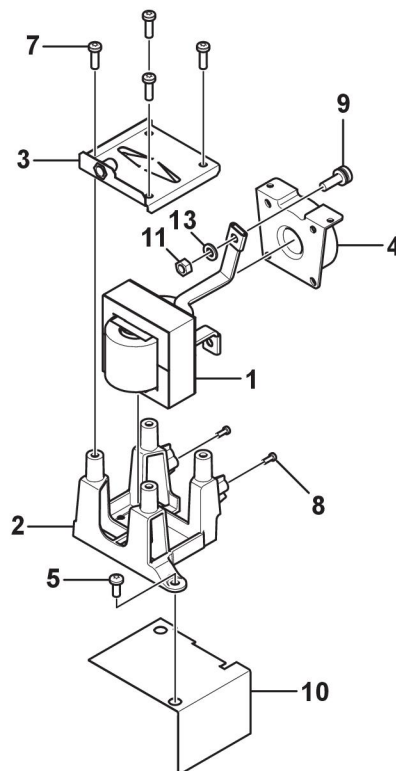


Output inductor module

C = Component designation in the circuit diagram

| Item | Qty | Ordering no. | Denomination | Notes | C |
|------|-----|--------------|---------------------------|-------|-------|
| | 1 | | Output inductor module | | |
| 1 | 1 | | Inductor | | 19L1 |
| 2 | 1 | | Inductor holder | | |
| 3 | 1 | | Inductor clamp | | |
| 4 | 1 | 0458 063 006 | Current sensor 300A | | 19CS1 |
| 5 | 2 | | Screw MRT M5×12 black | | |
| 6 | 1 | | Nylon Screw M6×10 | | |
| 7 | 4 | | Screw Remform 5×16 black | | |
| 8 | 2 | | Screw Remform torx 3×8 | | |
| 9 | 1 | | Screw M6×20 | | |
| 10 | 1 | | Transformer IP protection | | |
| 11 | 1 | | Hexagon nut with flange | M6 | |
| 12 | 1 | | Booster PCB cable | | |
| 13 | 2 | | Plain washer 3-200 HV-A2K | | |

| Item | Qty | Ordering no. | Denomination | Notes | C |
|------|-----|--------------|--------------|-------|---|
| 91 | 1 | 0464 586 880 | Inductor kit | | |

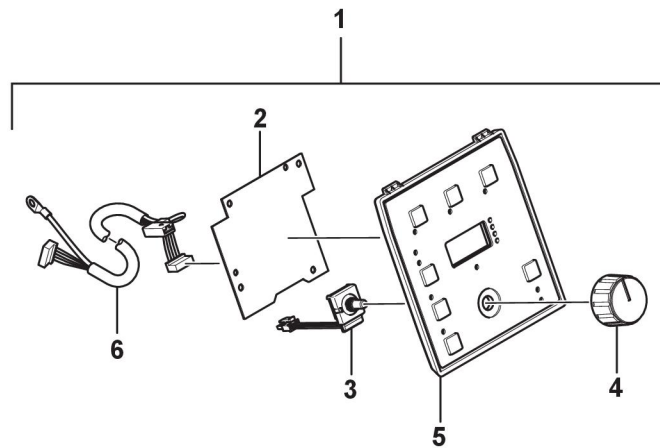


Setting panel module - ES 300i EU & AU

C = Component designation in the circuit diagram

| Item | Qty | Ordering no. | Denomination | Notes | C |
|------|-----|--------------|------------------------------|---|------|
| 1 | 1 | 0445 060 881 | Setting panel complete | The product needs to be configured after replacement, see the service manual. | |
| 2 | 1 | | PCBA UI board | Incl. in 81 | 1AP1 |
| 3 | 1 | | Encoder complete | Incl. in 82 | |
| 4 | 1 | 0321 475 893 | Knob D36-1/4IN AristoFeed | | |
| 5 | 1 | 0440 179 881 | Membrane panel compl. A35 | | |
| 6 | 1 | 0445 132 880 | Setting panel cable | | |

| Item | Qty | Ordering no. | Denomination | Notes | C |
|------|-----|--------------|-------------------|---|---|
| 81 | 1 | 0464 579 880 | PCBA UI board kit | The product needs to be configured after replacement, see the service manual. | |
| 82 | 1 | 0464 580 880 | Encoder kit | | |

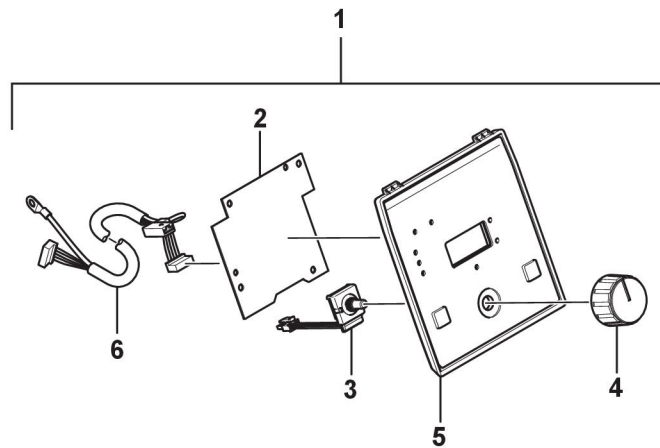


Setting panel module - ES 300i NA & SA

C = Component designation in the circuit diagram

| Item | Qty | Ordering no. | Denomination | Notes | C |
|------|-----|--------------|------------------------------|---|------|
| 1 | 1 | 0445 060 884 | Setting panel complete | The product needs to be configured after replacement, see the service manual. | |
| 2 | 1 | | PCBA UI board | Incl. in 81 | 1AP1 |
| 3 | 1 | | Encoder complete | Incl. in 82 | |
| 4 | 1 | 0321 475 893 | Knob D36-1/4IN AristoFeed | | |
| 5 | 1 | 0445 547 880 | Membrane panel compl. A35 | | |
| 6 | 1 | 0445 172 880 | Setting panel cable | | |

| Item | Qty | Ordering no. | Denomination | Notes | C |
|------|-----|--------------|-------------------|---|---|
| 81 | 1 | 0464 579 880 | PCBA UI board kit | The product needs to be configured after replacement, see the service manual. | |
| 82 | 1 | 0464 580 880 | Encoder kit | | |

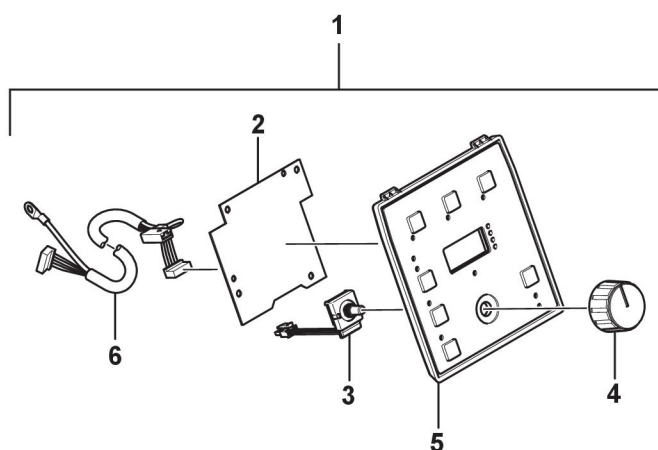


Setting panel module - ET 300i, ET 300iP EU & AU

C = Component designation in the circuit diagram

| Item | Qty | Ordering no. | Denomination | Notes | C |
|------|-----|--------------|--|---|------|
| 1 | 1 | 0445 060 882 | ET 300i : Setting panel complete | The product needs to be configured after replacement, see the service manual. | |
| | 1 | 0445 060 883 | ET 300iP : Setting panel complete | The product needs to be configured after replacement, see the service manual. | |
| 2 | 1 | | PCBA UI board | Incl. in 81 | 1AP1 |
| 3 | 1 | | Encoder complete | Incl. in 82 | |
| 4 | 1 | 0321 475 893 | Knob D36-1/4IN AristoFeed | | |
| 5 | 1 | 0440 179 882 | ET 300i : Membrane panel compl. TA35 | | |
| | 1 | 0440 179 883 | ET 300iP : Membrane panel compl. TA36 | | |
| 6 | 1 | 0445 132 881 | Setting panel cable | | |

| Item | Qty | Ordering no. | Denomination | Notes | C |
|------|-----|--------------|-------------------|---|---|
| 81 | 1 | 0464 579 881 | PCBA UI board kit | The product needs to be configured after replacement, see the service manual. | |
| 82 | 1 | 0464 580 880 | Encoder kit | | |

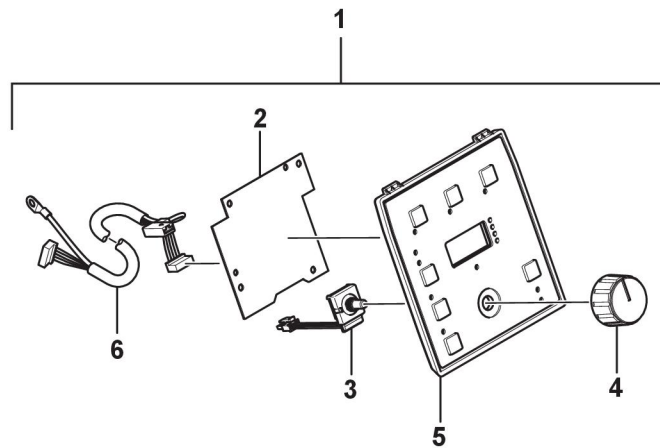


Setting panel module - ET 300iP NA & SA

C = Component designation in the circuit diagram

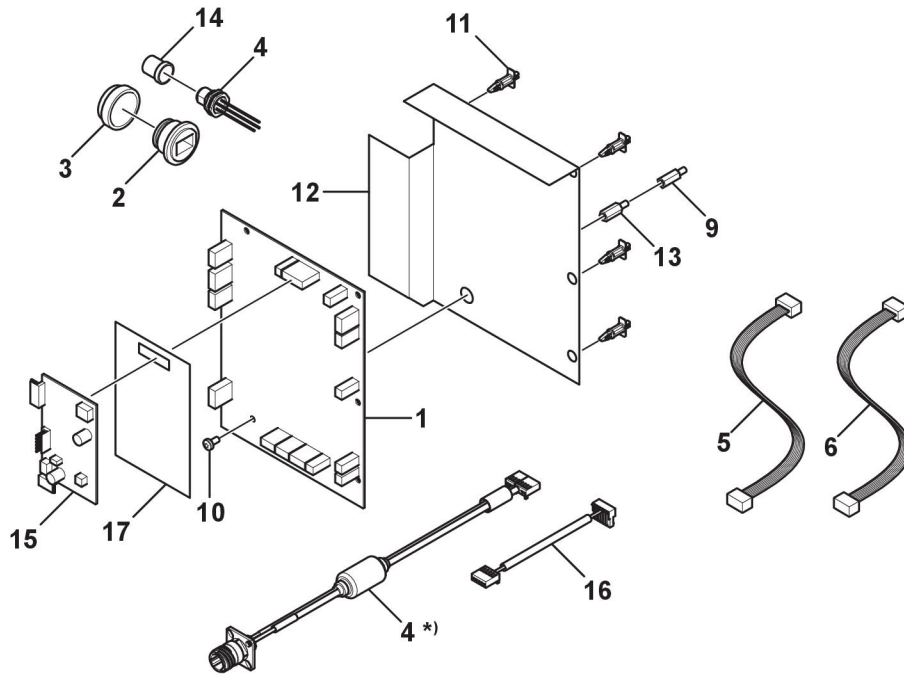
| Item | Qty | Ordering no. | Denomination | Notes | C |
|------|-----|--------------|----------------------------------|---|------|
| 1 | 1 | 0445 060 885 | Setting panel complete | The product needs to be configured after replacement, see the service manual. | |
| 2 | 1 | | PCBA UI board | Incl. in 81 | 1AP1 |
| 3 | 1 | | Encoder complete | Incl. in 82 | |
| 4 | 1 | 0321 475 893 | Knob D36-1/4IN AristoFeed | | |
| 5 | 1 | 0440 179 884 | Membrane panel compl. TA36 NA | | |
| 6 | 1 | 0445 132 881 | Setting panel cable | | |

| Item | Qty | Ordering no. | Denomination | Notes | C |
|------|-----|--------------|-------------------|---|---|
| 81 | 1 | 0464 579 881 | PCBA UI board kit | The product needs to be configured after replacement, see the service manual. | |
| 82 | 1 | 0464 580 880 | Encoder kit | | |



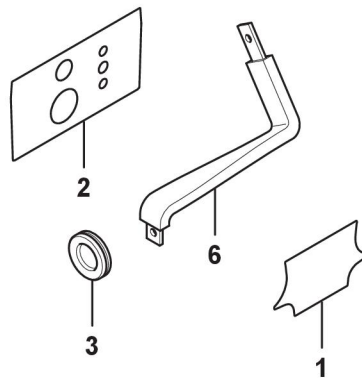
PS control module**C = Component designation in the circuit diagram**

| Item | Qty | Ordering no. | Denomination | Notes | C |
|------|-----|--------------|---|--|-------|
| 1 | 1 | 0440 146 880 | PCBA Control board | For ES 300i. The product needs to be configured after replacement, see the service manual. | 20AP1 |
| | 1 | 0440 146 881 | PCBA Control board | For ET 300i, ET 300iP. The product needs to be configured after replacement, see the service manual. | 20AP1 |
| 2 | 1 | 0445 329 880 | USB connector assembly | | 20XS2 |
| 3 | 1 | 0445 331 001 | USB cover | | |
| 4 | 1 | 0445 157 880 | Remote control cable harness, digital control | For ES 300i before serial no. 719-. | 20XS1 |
| | 1 | 0445 213 880 | Remote control cable harness, digital control | For ES 300i from serial no. 719-. For ET 300i, ET 300iP. | 20XS1 |
| 4 *) | 1 | 0445 213 881 | Remote control cable harness, analogue control | From serial no. 815- | 20XS1 |
| 5 | 1 | 0465 329 880 | Ribbon cable 20 pol | | |
| 6 | 1 | 0465 349 880 | Ribbon cable 12 pol | | |
| 7 | 1 | | Control cable harness | | |
| 8 | 1 | | Gate drive harness | | |
| 9 | 1 | | Spacing screw | M4×15 | |
| 10 | 1 | | Screw MRT | M4×8 black | |
| 11 | 4 | | Spacer | 12.7 mm | |
| 12 | 1 | 0445 137 001 | Nomex for control PCB | | |
| 13 | 1 | | Spacing screw | M4×18 | |
| 14 | 1 | 0445 195 001 | Cap | For ES 300i before serial no. 719-. 12.7 mm | |
| | 1 | 0445 195 002 | Cap | For ES 300i from serial no. 719-. For ET 300i, ET 300iP. 15.9 mm | |
| 15 | 1 | 0440 297 880 | Printed circuit board assembly Analogue remote A/D board | Factory installed only from serial no. 815- | 20AP2 |
| 16 | 1 | 0445 723 880 | Control board to remote cable harness | Factory installed only from serial no. 815- | |
| 17 | 1 | 0445 835 001 | PCBA Insulation sheet | Factory installed only from serial no. 815- | |



WP module MMA**C = Component designation in the circuit diagram**

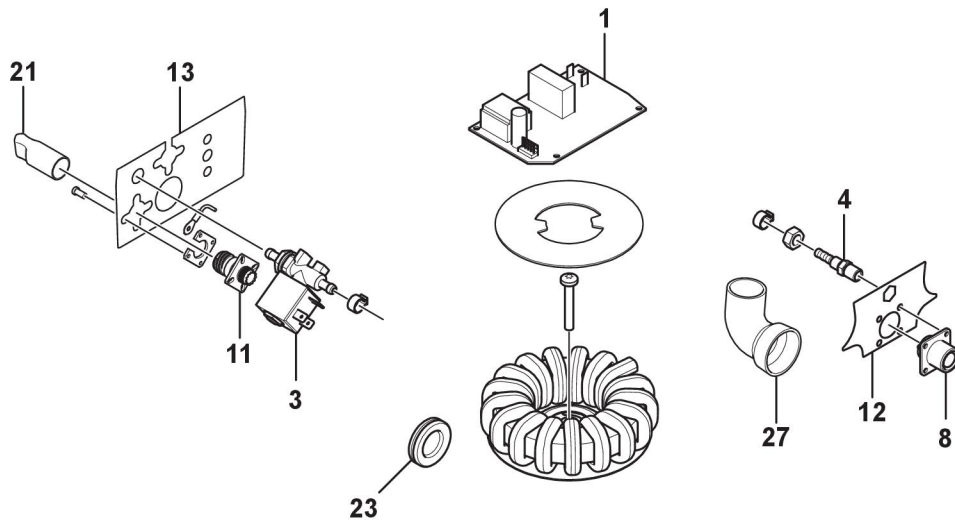
| Item | Qty | Ordering no. | Denomination | Notes | C |
|------|-----|--------------|-----------------------|-------------|---|
| 1 | 1 | | Front decal MMA | Incl. in 50 | |
| 2 | 1 | | Rear decal MMA | Incl. in 52 | |
| 3 | 1 | 0194 069 002 | Rubber inlet | 28 mm | |
| 6 | 1 | 0445 159 001 | Flex copper bar upper | | |



WP module TIG

C = Component designation in the circuit diagram

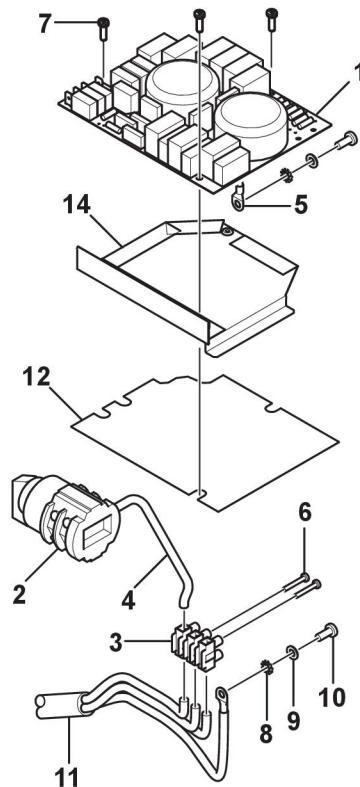
| Item | Qty | Ordering no. | Denomination | Notes | C |
|------|-----|--------------|---------------------|--------------------|---|
| 1 | 1 | 0440 213 880 | PCBA TIG Board | | |
| 3 | 1 | 0193 054 009 | Solenoid valve | | |
| 4 | 1 | 0459 269 002 | Gas connector | | |
| 8 | 2 | 0445 082 880 | TIG trigger harness | | |
| 11 | 1 | 0445 080 880 | TIG rear harness | | |
| 12 | 1 | | Front decal TIG | included in 51 | |
| 13 | 1 | | Rear decal TIG | included in 53 | |
| 21 | 1 | 0445 195 002 | Cup | 15.9 mm (0.78 in.) | |
| 23 | 1 | 0194 069 002 | Rubber inlet | 28 mm (1.10 in.) | |
| 27 | 1 | 0445 202 001 | Insulating sleeve | | |



Input module - EU & AU

C = Component designation in the circuit diagram

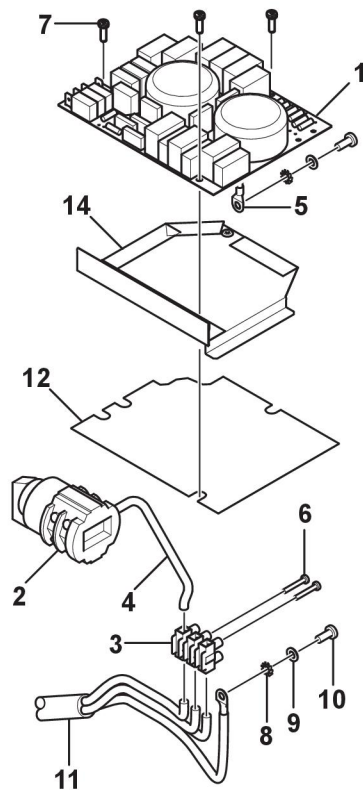
| Item | Qty | Ordering no. | Denomination | Notes | C |
|------|-----|--------------|-------------------|------------|------|
| 1 | 1 | 0440 174 880 | PCBA EMC filter B | | 2AP1 |
| 2 | 1 | 0465 965 001 | Main switch | | 2SW1 |
| 3 | 1 | | Terminal 3-POL 60 | | 2XS1 |
| 4 | 1 | | Main switch cable | | |
| 5 | 1 | | Grounding cable | | |
| 6 | 2 | | Screw MRT | M3×16 | |
| 7 | 4 | | Screw Remform TOR | 3×8 | |
| 8 | 2 | | Screw MRT DIN7985 | M5×12 | |
| 9 | 2 | | Washer | D10/5.3 | |
| 10 | 2 | | Washer | PN-EN ISO | |
| 11 | 1 | | Main supply cable | | |
| 12 | 1 | 0445 188 001 | Nomex sheet | | |
| 13 | 1 | | Cable binders | TK/PCV 14/ | |



Input module - NA & SA

C = Component designation in the circuit diagram

| Item | Qty | Ordering no. | Denomination | Notes | C |
|------|-----|--------------|-------------------|------------|------|
| 1 | 1 | 0440 174 880 | PCBA EMC filter B | | 2AP1 |
| 2 | 1 | 0465 965 001 | Main switch | | 2SW1 |
| 3 | 1 | | Terminal 3-POL 60 | | 2XS1 |
| 4 | 1 | | Main switch cable | | |
| 5 | 1 | | Grounding cable | | |
| 6 | 2 | | Screw MRT | M3×16 | |
| 7 | 4 | | Screw Remform TOR | 3×8 | |
| 8 | 2 | | Screw MRT DIN7985 | M5×12 | |
| 9 | 2 | | Washer | D10/5.3 | |
| 10 | 2 | | Washer | PN-EN ISO | |
| 12 | 1 | 0445 188 001 | Nomex sheet | | |
| 13 | 1 | | Cable binders | TK/PCV 14/ | |





A WORLD OF PRODUCTS AND SOLUTIONS.



For contact information visit esab.com

<http://manuals.esab.com>



CE

