

DutyMax™ Hydraulic Sprayers

3A2248A

EN

- For professional use only -
- Not approved for use in European explosive atmosphere locations -

Models: 24M054 (EH200DI), 24M055 (GH200DI), 24M056 (EH300DI), 24M057 (GH300DI)
3300 psi (22.8 MPa, 228 bar) Maximum Working Pressure



Important Safety Instructions

Read all warnings and instructions in this manual. Save these instructions.



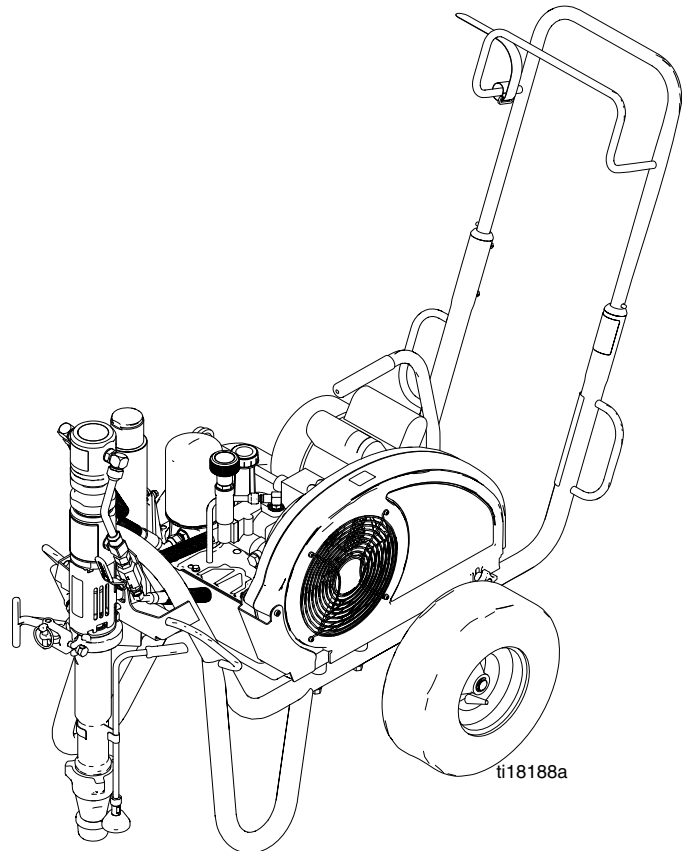
3A2246



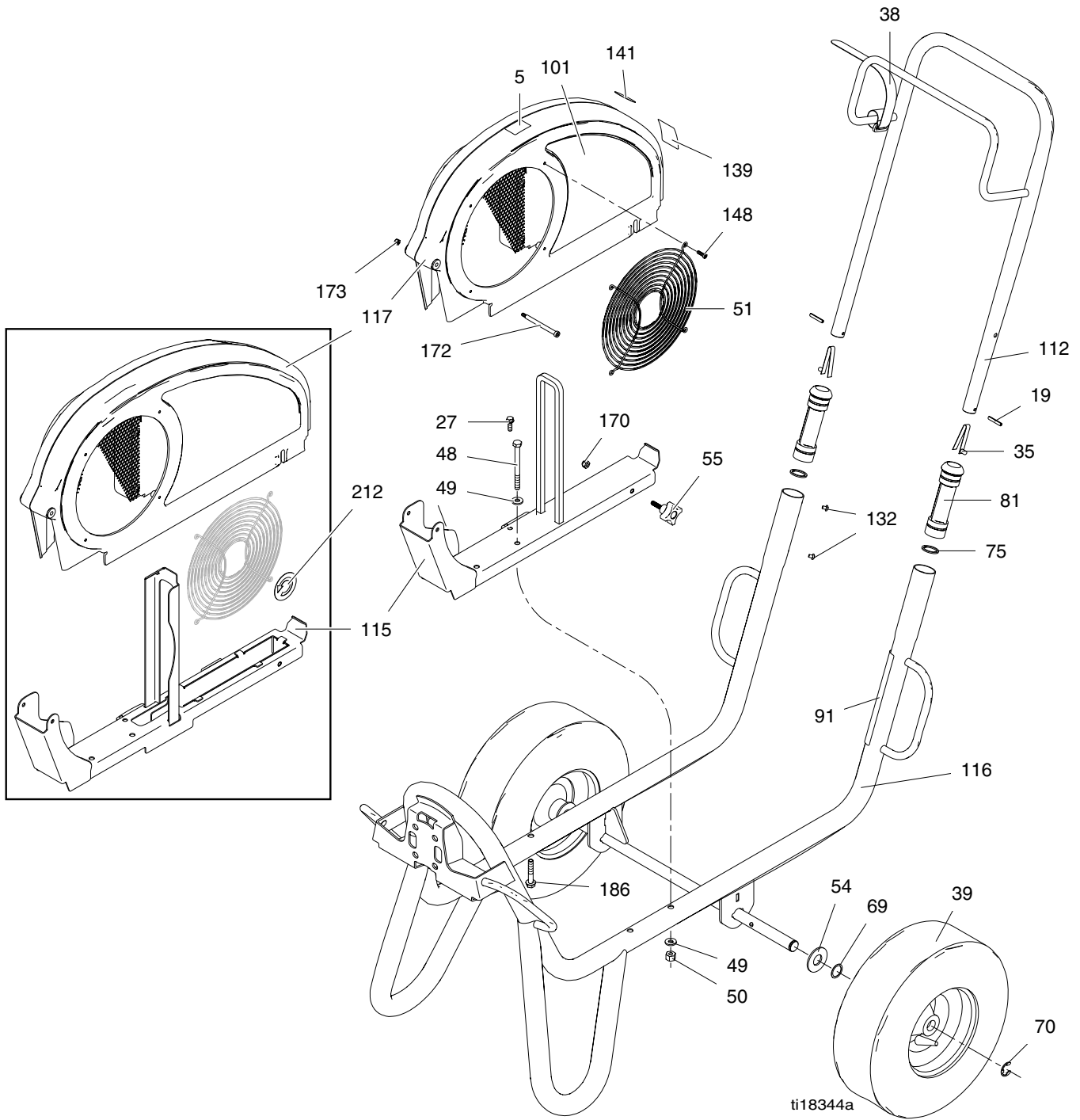
3A2247



308491 - Blue Texture Gun
309495 - Inline Texture Gun



Parts - Frame and Belt Guard

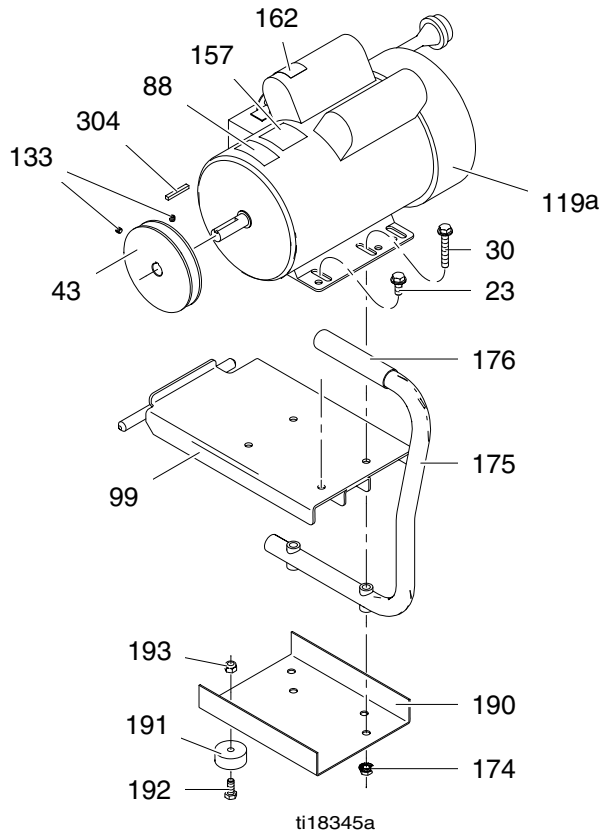


Parts List - Frame and Belt Guard

Ref.	Part	Description	Qty.	Ref.	Part	Description	Qty.
5	15Y118	LABEL, Made in USA (EH200DI)	1	112	24M397	HANDLE, cart	1
	16D576	LABEL, Made in USA with global component (EH300DI)	1	115	288261	RAIL, belt guard, assy (EH/GH200DI)	1
	16D577	LABEL, Made in USA with Honda Part (GH200/300DI)	1		24M086	RAIL, belt guard, assy (EH/GH300DI)	1
19	101354	PIN, spring, straight	2	116	24M085	FRAME, cart, weldment, 200/300DI	1
27	260212	SCREW, hex washer hd, thd form	1	117	288734	GUARD, belt assembly, painted (EH/GH200DI) (includes 51, 148, 172, 173)	1
35	112827	BUTTON, snap	2		248973	GUARD, belt assembly, painted (EH/GH300DI)	1
38	114271	STRAP, retaining	1				
39	119509	WHEEL, pneumatic	2	132	109032	SCREW, mach, pnh	4
48	803298	SCREW, cap, hex hd	2	139▲	16M768	LABEL, warning	1
49	100527	WASHER, plain	4	141▲	15Y963	LABEL	1
50	110838	NUT, lock	2	148	115477	SCREW, mach, torx pan hd	4
51	117284	GRILL, fan guard	1	170	102040	NUT, lock, hex	1
54	156306	WASHER, flat	2	172	119434	SCREW, shoulder, skt hd	1
55	15D862	NUT, hand	2	173	116969	NUT, lock	1
69	116038	WASHER, wave spring	2	212	16N398	LABEL, direction (EH/GH300DI)	1
70	120211	RING, retaining, e-ring	2				
75	15J645	WASHER	2				
81	192027	SLEEVE, cart	2				
91▲	16N948	LABEL, warning	1				
101	16N194	LABEL, brand, side (EH200DI)	1				
	16N196	LABEL, brand, side (GH200DI)	1				
	16N198	LABEL, brand, side (EH300DI)	1				
	16N200	LABEL, brand, side (GH300DI)	1				

▲ Warning labels are available at no cost.

Parts - Electric Motor (EH200DI Models)

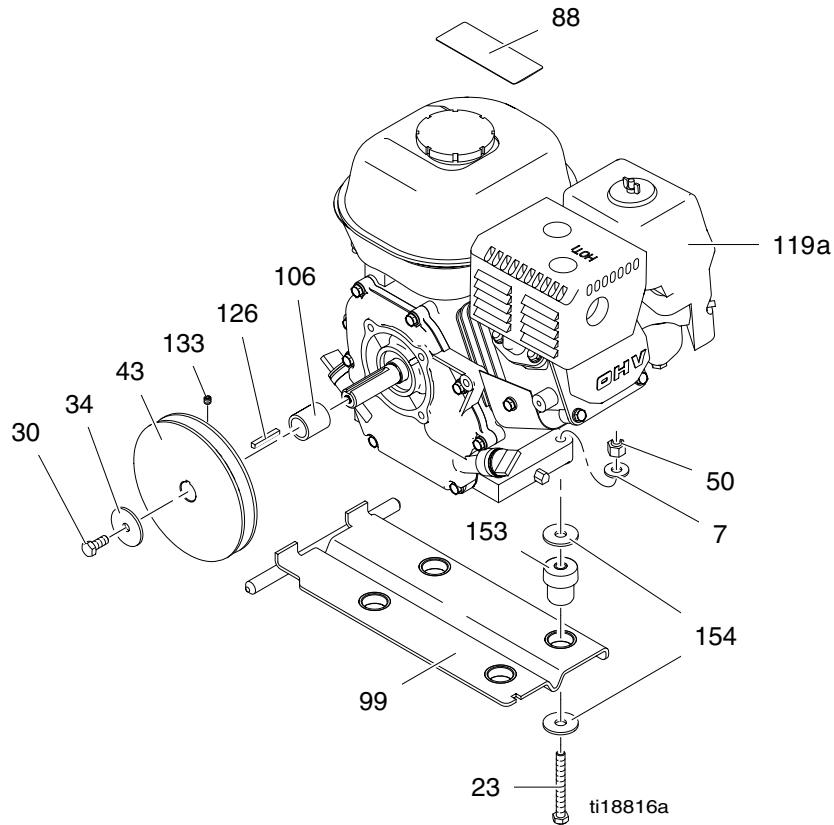


Parts List - Electric Motor (EH200DI Models)

Ref.	Part	Description	Qty.	Ref.	Part	Description	Qty.
119	24M668	KIT, electric motor 3.0 HP (includes all parts listed on this page)	1	162▲	189930	LABEL, warning	1
23	110963	SCREW, cap, flange head	2	174	110996	NUT, hex, flange head	4
30	114653	SCREW, cap, flange head	2	175	246214	HANDLE, conversion	1
43	16N612	PULLEY	1	176	111700	GRIP, handle	1
44	116914	BELT, V-Gripnotch (not shown)	1	190	15F217	PLATE, isolator, bottom	1
88▲	15K616	LABEL, caution	1	191	113817	BUMPER	4
99	15E585	BRACKET, mounting, elec. motor	1	192	100057	SCREW, cap, hex hd	4
119a	15E669	MOTOR, electric, 3 h.p., 230v ac	1	193	111040	NUT, lock, insert, nylock, 5/16	4
133	100002	SCREW, set, sch	2	304	117632	KEY, square 3/16 x 1.25	1
157	15B804	LABEL, Graco	2				

▲ Warning labels are available at no cost.

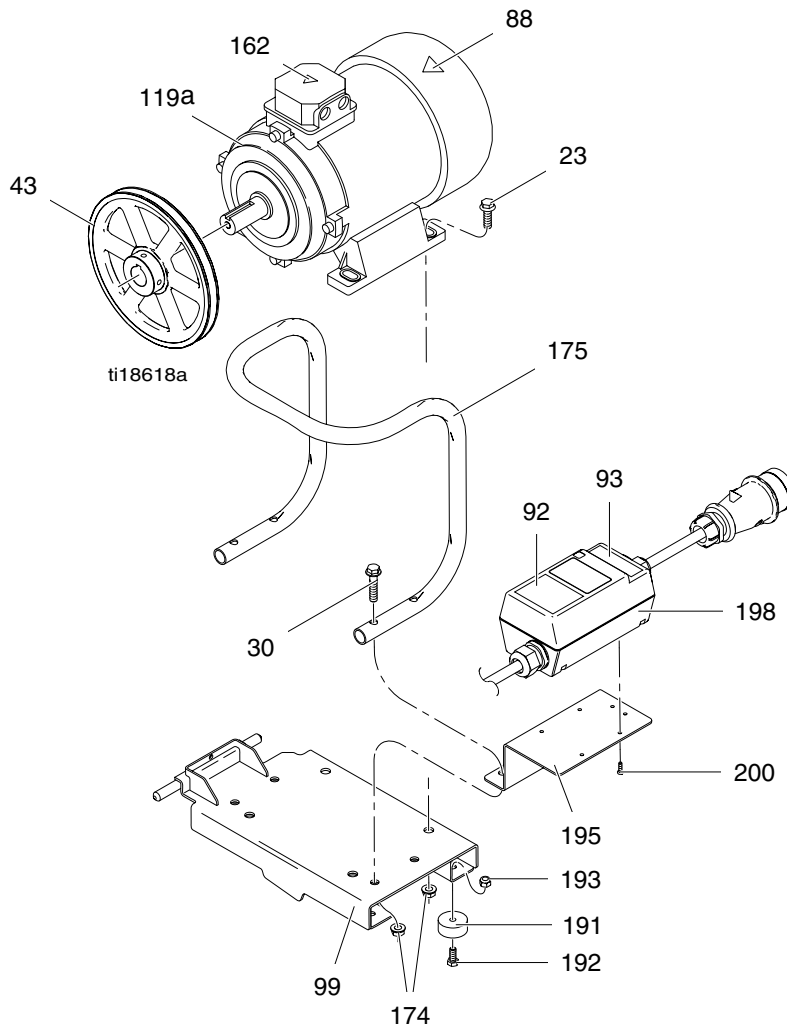
Parts - Gas Engine (GH200DI Models)



Parts List - Gas Engine (GH200DI Models)

Ref.	Part	Description	Qty.	Ref.	Part	Description	Qty.
119	24M666	KIT, gas engine 5.5 HP (includes all parts listed on this page)	1	99	15F157	BRACKET, mounting, engine	1
7	100023	WASHER, flat	4	106	15B314	SLEEVE, motor shaft	1
23	113664	SCREW, cap, hex HD	4	119a	802264	ENGINE, GX160K1QX2	1
30	108842	SCREW, CAP, HEX HD	1	126	117632	KEY, square, 3/16 x 1.25	1
34	112717	WASHER	1	133	100002	SCREW, set, sch	1
43	116908	PULLEY, 5.50 in.	1	153	15E888	DAMPENER, motor mount	4
44	119433	BELT, V-Gripnotch (not shown)	1	154	108851	WASHER, PLAIN	8
50	110838	NUT, lock	4				
88▲	194126	LABEL,WARNING	1			▲ Warning labels are available at no cost.	

Parts - Electric Motor (EH300DI Models)

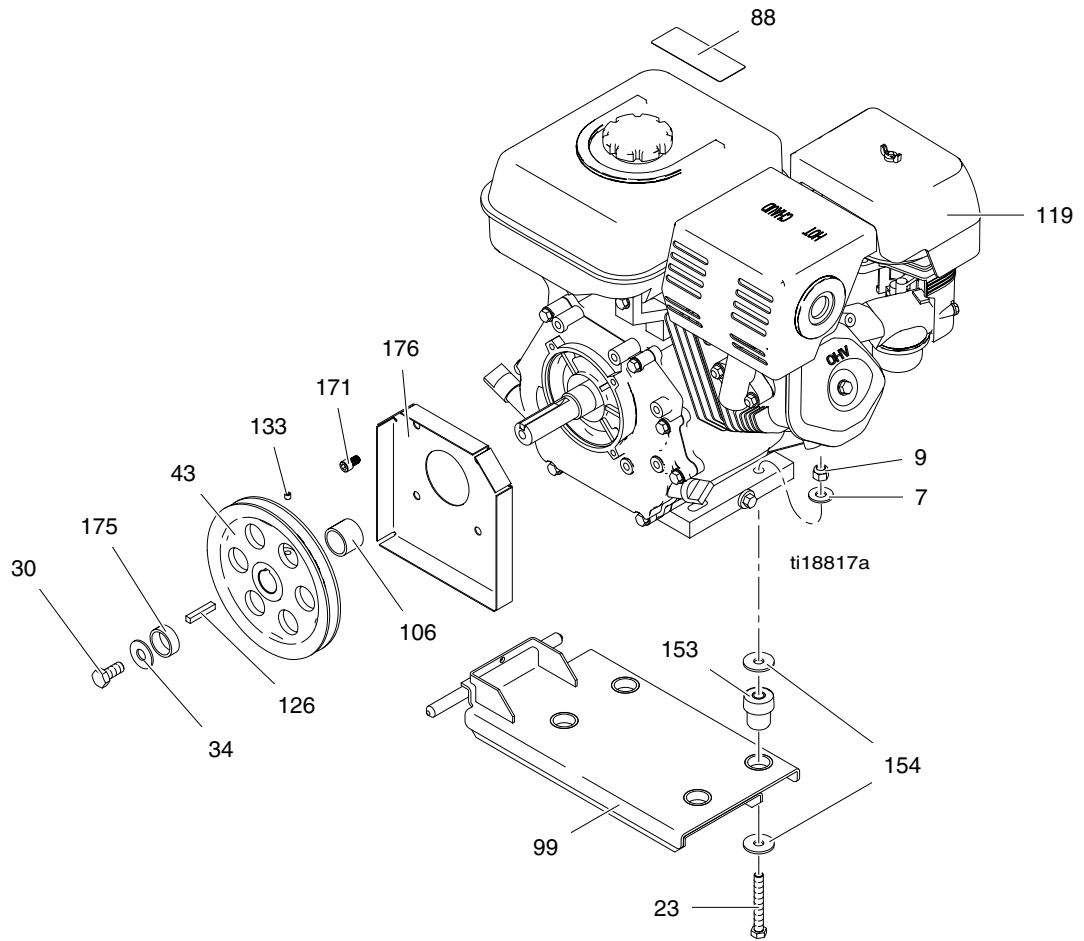


Parts List - Electric Motor (EH300DI Models)

Ref.	Part	Description	Qty.	Ref.	Part	Description	Qty.
119	24M669	KIT, electric motor 7.3 hp (includes all parts listed on this page)	1	157	15B804	LABEL, Graco, logo	
23	111193	SCREW, cap flange hd	4	162▲	189930	LABEL, caution	1
30	116780	SCREW, hex, hd, flanged	4	174	112958	NUT, hex, flanged	8
43	125811	PULLEY, cast iron, 8.75 in. (includes two 5/16-18 set screws)	1	175	16M473	TUBE, handle, conversion	1
44	125834	BELT, V-Gripnotch (not shown)	1	191	113817	BUMPER	4
88▲	15K616	LABEL	1	192	100057	SCREW, cap, hex hd	4
92▲	16N399	LABEL, motor switch box on-off	1	193	111040	NUT, lock, insert, nylock, 5/16	4
93▲	16N400	LABEL, red light indicator	1	195	16M474	BRACKET, motor starter	1
99	16M467	BRACKET, mounting, motor, EH300	1	198	24N064	STARTER, motor, assembly	1
119a	24N019	MOTOR, elec., 400 VAC, 50 HZ, 7.3 hp (includes 8 x 7 x 50 mm key)	1	200	119236	SCREW, plastite	6

▲ Warning labels are available at no cost.

Parts - Gas Engine (GH300DI Models)

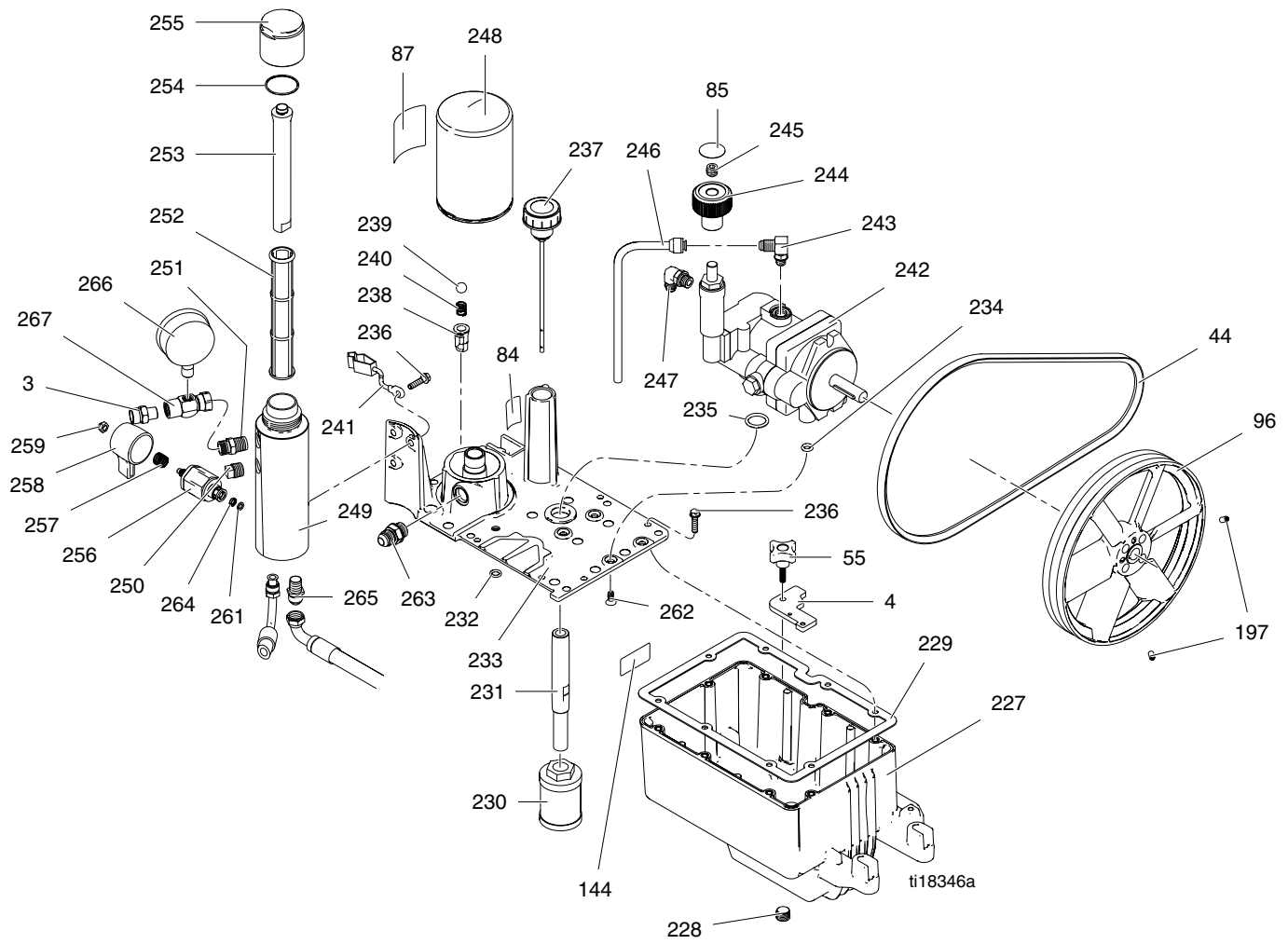


Parts List - Gas Engine (GH300DI Models)

Ref.	Part	Description	Qty.	Ref.	Part	Description	Qty.
119	24M666	KIT, gas engine 9.0 hp (includes all parts listed on this page)	1	119a	803900	ENGINE, gasoline, 9.0 HP, (Honda)	1
7	100132	WASHER, flat	4	126	119484	KEY, parallel, square	1
9	101566	NUT, lock	4	133	100002	SCREW, set, sch	1
23	106212	SCREW, cap, hex hd	4	153	195515	DAMPENER, motor mount	4
30	116645	SCREW, cap, hex head	1	154	108851	WASHER, plain	8
34	100696	WASHER, wrought	1	171	C20010	SCREW, cap, socket head	4
43	119401	PULLEY	1	175	15E764	SPACER, shaft, engine	1
44	119432	BELT, V-Gripnotch (not shown)	1	176	15E973	SHIELD, engine shaft	1
88▲	194126	LABEL, warning	1				
99	15E583	BRACKET, mounting, engine	1				
106	15E586	SLEEVE, shaft, engine	1				

▲ Warning labels are available at no cost.

Parts - Reservoir and Filter

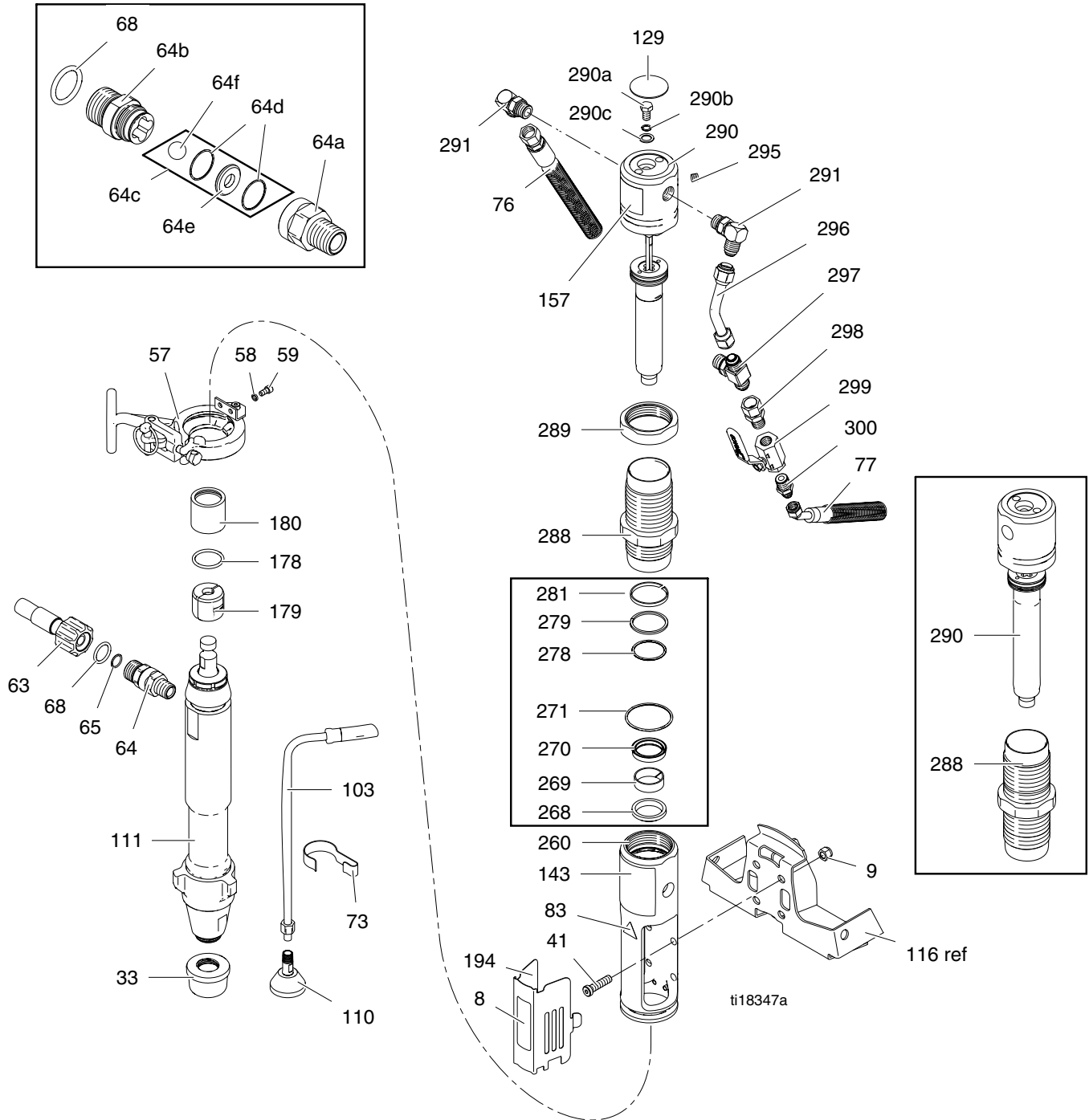


Parts List - Reservoir and Filter

Ref.	Part	Description	Qty.	Ref.	Part	Description	Qty.
3	162485	FITTING, outlet (EH/GH200DI)	1	242	246178	PUMP, hydraulic (EH/GH200DI)	1
	183285	FITTING, outlet (EH/GH300DI)	1		247855	PUMP, hydraulic (EH/GH300DI)	1
4	15E476	BRACKET, retainer, motor	1	243	110792	FITTING, elbow, male, 90 deg	1
44	116914	BELT, V, AX42 (EH200DI)	1	244	15B438	KNOB, pressure	1
	119433	BELT, V, AX41 (GH200DI)	1	245	117560	SCREW, set, socket head	1
	125834	BELT, V, AX48 (EH300DI)	1	246	246167	TUBE, hydraulic, case drain	1
	119432	BELT, V, AX44 (GH300DI)	1	247	120634	FITTING, elbow, hydraulic w/o-rings	1
55	15D862	NUT, hand	2				
84	198585	LABEL, hydraulic fluid, GH	1	248	246173	FILTER, oil, spin on	1
85	15A464	LABEL, control	1	249	15E599	HOUSING, filter	1
87	189892	LABEL, Graco	1	250	100040	PLUG, pipe	1
96	15E410	PULLEY, fan	1	251	162485	ADAPTER, nipple	1
144	15K440	LABEL, brand, GH EH cooling	1	252	244067	FILTER, fluid	1
197	120087	SCREW, set, 1/4 X 1/2	2	253	15C766	TUBE, diffusion	1
227	15J513	TANK, reservoir, blue	1	254	117285	PACKING, o-ring	1
228	101754	PLUG, pipe	1	255	15C765	CAP, filter	1
229	120604	GASKET, reservoir	1	256*	287879	VALVE, drain, assy	1
230	116919	FILTER	1	257*	114708	SPRING, comp	1
231	15E587	TUBE, suction	1	258*	15G563	HANDLE, valve	1
232	154594	PACKING, o-ring	1	259*	116424	NUT, cap	1
233	15M056	COVER, reservoir	1	261*	193710	SEAL, seat, valve	1
234	107188	PACKING, o-ring	4	262	117471	SCREW, mach, hex flat head	4
235	156401	PACKING, o-ring	1	263	120184	FITTING, hydraulic	1
236	119426	SCREW, mach, hex washer hd	11	264*	193709	SEAT, valve	1
237	120726	CAP, breather, filler	1	265	121311	FITTING, elbow, 45deg. street	1
238	198841	RETAINER, ball, pressure bypass	1	266	102814	GUAGE	1
239	100084	BALL, metallic	1	267	243683	UNION, SWIVEL	1
240	116967	SPRING, compression	1				
241	237686	WIRE, ground assembly w/ clamp	1				

* Included in Drain Valve Kit 245103.

Parts - Hydraulic Motor and Displacement Pump



Parts List - Hydraulic Motor and Displacement Pump

Ref.	Part	Description	Qty.	Ref.	Part	Description	Qty.
8	15F584	LABEL, Proconnect	1	271†◆	117283	PACKING, o-ring	1
9	101566	NUT, lock	4	278†◆	108014	PACKING, o-ring	1
33	189920	STRAINER, (1-11 1/2 npsm)	1	279†◆	178226	SEAL, piston	1
41◆	107210	SCREW	4	281†◆	178207	BEARING, piston	1
57	288344	CLAMP, pump	1	288◆	246176	SLEEVE, hydraulic, cylinder (EH/GH200DI)	1
58	105510	WASHER, lock, spring (hi-collar)	2		248991	SLEEVE, hydraulic, cylinder (EH/GH300DI)	1
59	101550	SCREW, cap, sch	2	289◆	15A726	NUT, jam	1
63	257908	HOSE, coupled	1	290◆	288736	KIT, repair, tripod (EH/GH200DI)	1
64	24M611	KIT, check valve (includes 64a - 64f)	1		288737	KIT, repair, tripod (EH/GH300DI) (includes 129, 278, 279, 281, 282, 295)	1
64a	16N461	HOUSING, seat, check valve	1	290a◆	106276	SCREW, cap, hex head	1
64b	16N462	HOUSING, ball, check valve	1	290b◆	155685	PACKING, o-ring	1
64c	24M725	KIT, repair, check valve (includes 64d, 64e, 64e, 68)	1	290c◆	178179	WASHER, sealing	1
64d‡		O-RING	2	291◆	117607	FITTING, elbow std thd	2
64e‡		SEAT, valve	1	295◆	100139	PLUG, pipe	1
64f‡		BALL, ceramic	1	296◆	198629	TUBE, hydraulic, supply (EH/GH200DI)	1
65	109450	PACKING, o-ring	1		15E596	TUBE, hydraulic, supply (EH/GH300DI)	1
68‡	C20195	PACKING, o-ring	1	297◆	117609	FITTING, tee, branch, str thd	1
73	198542	CLIP, spring	1	298	117328	FITTING, nipple, straight	1
76	15K642	HOSE, hydraulic, return	1	299	117441	VALVE, ball	1
77	15K641	HOSE, hydraulic, supply	1	300	116813	FITTING, nipple, hydraulic	1
83▲◆	192840	LABEL	1				
103	243993	HOSE, drain, Ultra hi-boy	1				
110	241920	DEFLECTOR, threaded	1				
111	24M629	PUMP, displacement	1				
129◆	15B063	LABEL	1				
143	16N193	LABEL, brand, front (EH200DI)	1				
	16N195	LABEL, brand, front (GH200DI)	1				
	16N197	LABEL, brand, front (EH300DI)	1				
	16N199	LABEL, brand, front (GH300DI)	1				
157◆	15B804	LABEL, Graco	2				
178	156698	PACKING, o-ring	1				
179	277377	COUPLER, pump	2				
180	15H957	COVER, coupler	1				
194	15J503	COVER, shield EH/GH200DI	1				
	16M749	COVER, shield EH/GH300DI	1				
260◆	15J278	MANIFOLD, adapter	1				
268†◆	117739	WIPER, rod	1				
269†◆	112342	BEARING, rod	1				
270†◆	112561	PACKING, block	1				

▲ Warning labels, are available at no cost.

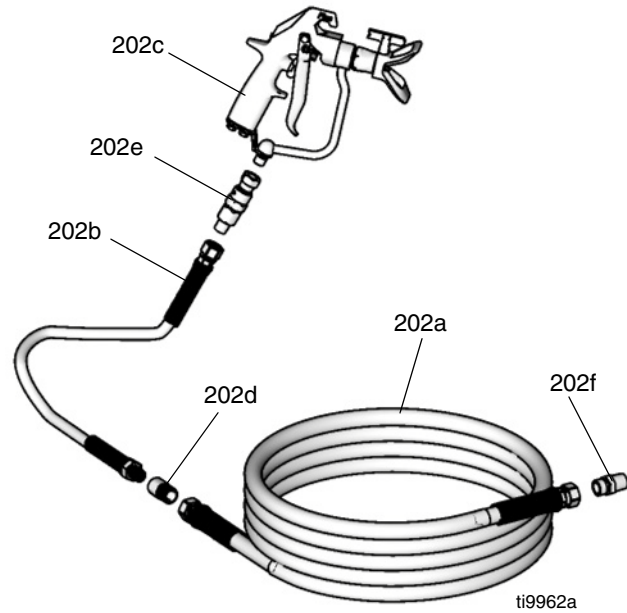
◆ Included in Hydraulic Motor Repair Kit 288759 (EH/GH200), 288760 (EH/GH300).

† Included in Seal Kit 246174.

‡ Included in Check Valve Repair Kit 24M725.

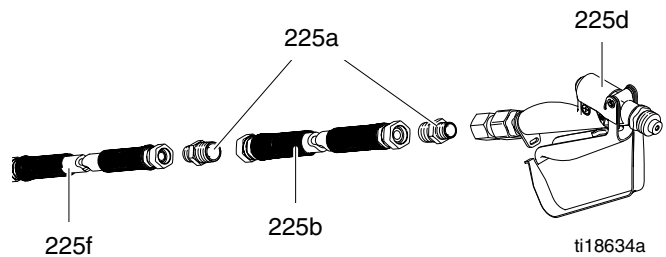
EH/GH200DI Sprayer - Spray Gun and Hoses

Ref.	Part	Description	Qty.
202a	240797	HOSE, grounded, nylon; 3/8 in. ID; cpld 3/8-18 npsm; 50 ft (15 m); spring guards both ends 3300 psi (227 bar, 22.7 MPa)	1
202b	241735	HOSE, grounded, nylon; 1/4 in. ID; cpld 1/4 npt(m) x 1/4 npsm(f); 3 ft (0.9 m); spring guards both ends 3300 psi (227 bar, 22.7 MPa)	1
202c	289605	GUN, spray, texture Includes RAC® Tip Guard and HDA531 Spray Tip Cylinder See 308491 for parts	1
202d	159841	ADAPTER, 3/8 X 1/4 in. npt	1
202e	239663	SWIVEL, straight	1
202f	162485	ADAPTER, nipple	1



EH/GH300DI Sprayer - Spray Gun and Hoses

Ref.	Part	Description	Qty.
225a	159239	FITTING, nipple, pipe, rdcg	2
225b	191239	HOSE, cpld, 3/8 in. x 11 ft 10 in.	1
225d	245820	KIT, accessory, gun	1
225f	277253	HOSE, cpld, 1/2 in. x 50 ft, 4000 wp	1



Graco Standard Warranty

Graco warrants all equipment referenced in this document which is manufactured by Graco and bearing its name to be free from defects in material and workmanship on the date of sale to the original purchaser for use. With the exception of any special, extended, or limited warranty published by Graco, Graco will, for a period of twelve months from the date of sale, repair or replace any part of the equipment determined by Graco to be defective. This warranty applies only when the equipment is installed, operated and maintained in accordance with Graco's written recommendations.

This warranty does not cover, and Graco shall not be liable for general wear and tear, or any malfunction, damage or wear caused by faulty installation, misapplication, abrasion, corrosion, inadequate or improper maintenance, negligence, accident, tampering, or substitution of non-Graco component parts. Nor shall Graco be liable for malfunction, damage or wear caused by the incompatibility of Graco equipment with structures, accessories, equipment or materials not supplied by Graco, or the improper design, manufacture, installation, operation or maintenance of structures, accessories, equipment or materials not supplied by Graco.

This warranty is conditioned upon the prepaid return of the equipment claimed to be defective to an authorized Graco distributor for verification of the claimed defect. If the claimed defect is verified, Graco will repair or replace free of charge any defective parts. The equipment will be returned to the original purchaser transportation prepaid. If inspection of the equipment does not disclose any defect in material or workmanship, repairs will be made at a reasonable charge, which charges may include the costs of parts, labor, and transportation.

THIS WARRANTY IS EXCLUSIVE, AND IS IN LIEU OF ANY OTHER WARRANTIES, EXPRESS OR IMPLIED, INCLUDING BUT NOT LIMITED TO WARRANTY OF MERCHANTABILITY OR WARRANTY OF FITNESS FOR A PARTICULAR PURPOSE.

Graco's sole obligation and buyer's sole remedy for any breach of warranty shall be as set forth above. The buyer agrees that no other remedy (including, but not limited to, incidental or consequential damages for lost profits, lost sales, injury to person or property, or any other incidental or consequential loss) shall be available. Any action for breach of warranty must be brought within two (2) years of the date of sale.

GRACO MAKES NO WARRANTY, AND DISCLAIMS ALL IMPLIED WARRANTIES OF MERCHANTABILITY AND FITNESS FOR A PARTICULAR PURPOSE, IN CONNECTION WITH ACCESSORIES, EQUIPMENT, MATERIALS OR COMPONENTS SOLD BUT NOT MANUFACTURED BY GRACO. These items sold, but not manufactured by Graco (such as electric motors, switches, hose, etc.), are subject to the warranty, if any, of their manufacturer. Graco will provide purchaser with reasonable assistance in making any claim for breach of these warranties.

In no event will Graco be liable for indirect, incidental, special or consequential damages resulting from Graco supplying equipment hereunder, or the furnishing, performance, or use of any products or other goods sold hereto, whether due to a breach of contract, breach of warranty, the negligence of Graco, or otherwise.

FOR GRACO CANADA CUSTOMERS

The Parties acknowledge that they have required that the present document, as well as all documents, notices and legal proceedings entered into, given or instituted pursuant hereto or relating directly or indirectly hereto, be drawn up in English. Les parties reconnaissent avoir convenu que la rédaction du présente document sera en Anglais, ainsi que tous documents, avis et procédures judiciaires exécutés, donnés ou intentés, à la suite de ou en rapport, directement ou indirectement, avec les procédures concernées.

Graco Information

For the latest information about Graco products, visit www.graco.com.

TO PLACE AN ORDER, contact your Graco distributor or call 1-800-690-2894 to identify the nearest distributor.

*All written and visual data contained in this document reflects the latest product information available at the time of publication.
Graco reserves the right to make changes at any time without notice.*

Original instructions. This manual contains English. MM 3A2248

Graco Headquarters: Minneapolis

International Offices: Belgium, China, Japan, Korea

GRACO INC. AND SUBSIDIARIES • P.O. BOX 1441 • MINNEAPOLIS MN 55440-1441 • USA

Copyright 2011, Graco Inc. All Graco manufacturing locations are registered to ISO 9001.

www.graco.com
Revision A - 2012