

Mark V Premium and Mark V Max Electric Airless Sprayers

3A2245A

EN

**For Portable Airless Spraying of Architectural Coatings and Paints.
For professional use only. Not approved for use in European explosive atmosphere locations.**

3300 psi (227 bar, 22.7 MPa) Maximum Working Pressure



IMPORTANT SAFETY INSTRUCTIONS

Read all warnings and instructions in the
Operation manual. Save these instructions.

Related Manuals:



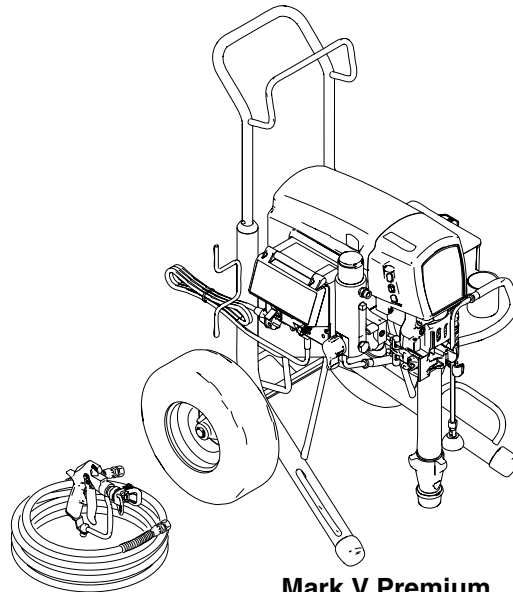
3A2243



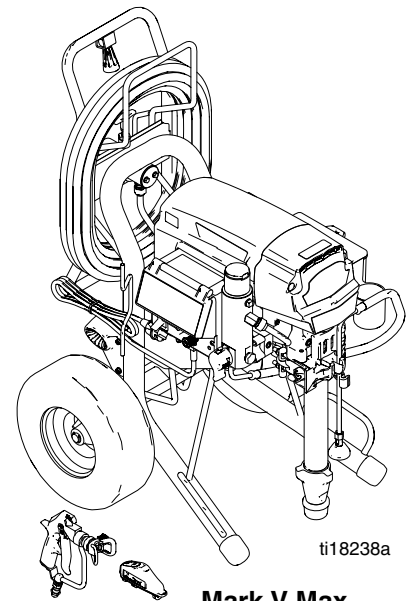
3A2333



308491

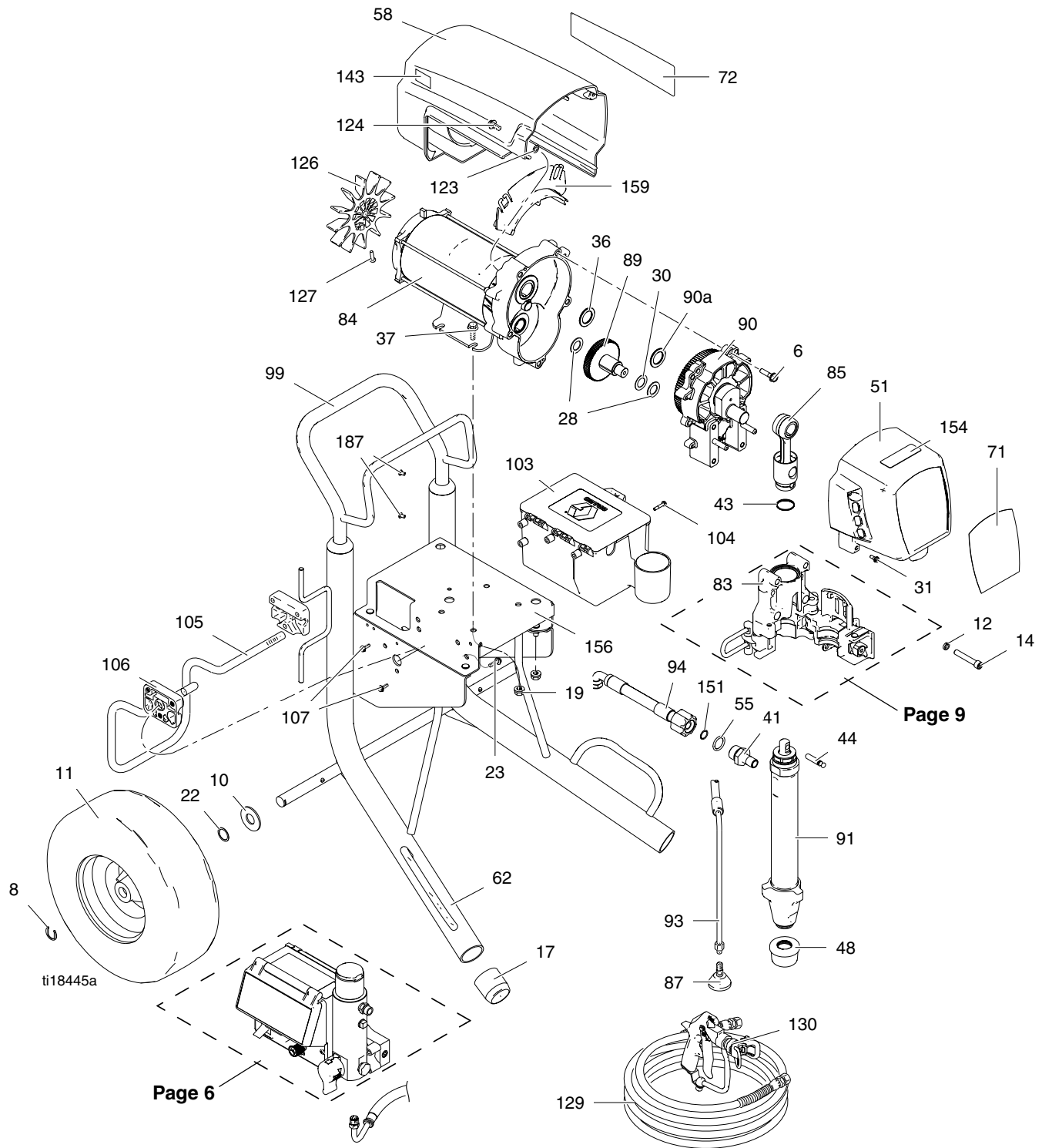


Mark V Premium



Mark V Max

Parts - Mark V Premium



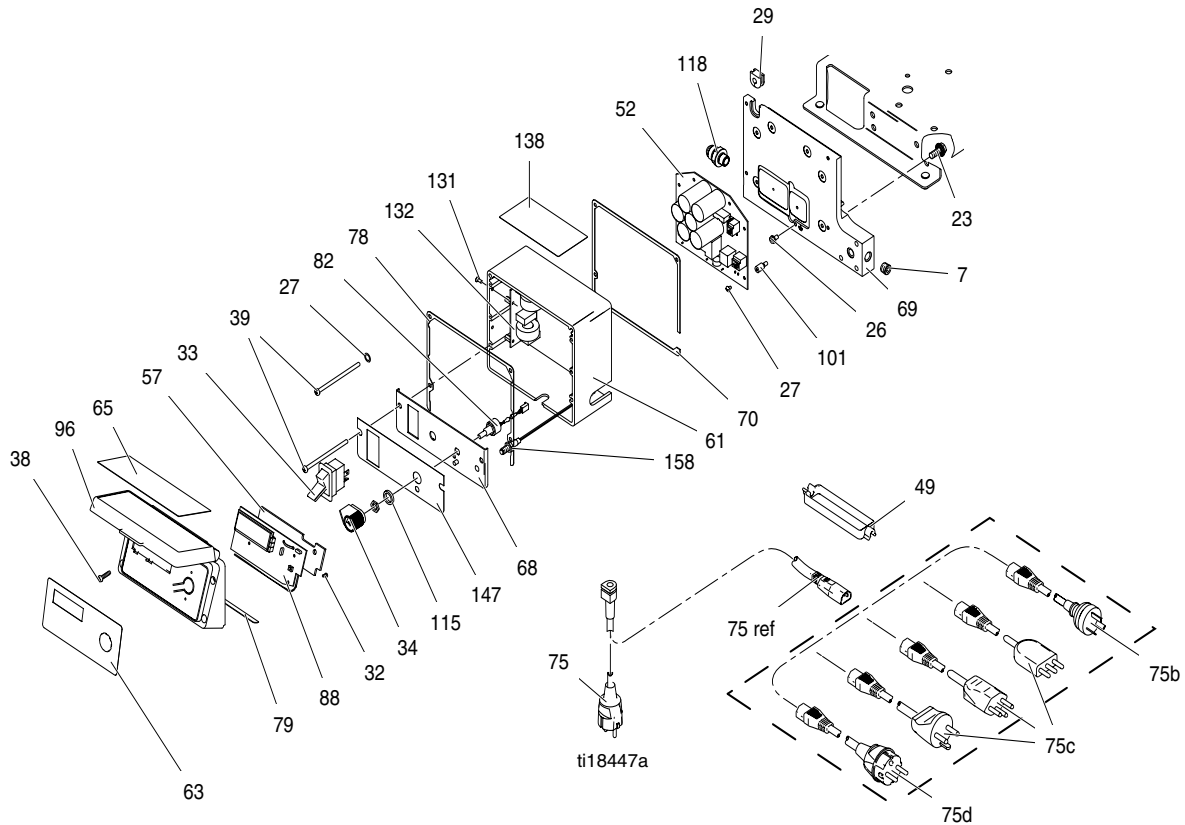
Parts List - Mark V Premium

Ref.	Part	Description	Qty.	Ref.	Part	Description	Qty.
6	15C753	SCREW, mach, hex wash hd	5	85	287472	ROD, connecting (includes 43, 44)	1
8	15E891	CLIP, retaining	2	87	241920	DEFLECTOR, threaded	1
10	156306	WASHER, flat	2	89	287290	GEAR, combination (includes 28, 30)	1
11	119509	WHEEL, pneumatic	2	90	287295	HOUSING, drive (includes 6, 36, 90a)	1
12	106115	WASHER, lock (hi-collar)	4	90a	194173	WASHER, thrust	1
14	114666	SCREW, cap, socket head	4	91	287928	PUMP, displacement, hd, Mark V (includes 41, 55 and manual)	1
17	276974	CAP, leg	2	93	287952	HOSE, drain (includes 87)	1
19	112746	NUT, lock, nylon, thin pattern	8	94	288659	HOSE, coupled, 1/2 (includes 151)	1
22	116038	WASHER, wave spring	2	99	24A250	HANDLE, assy	1
23	110963	SCREW, cap, flange head	2	103	287253	TOOL BOX (includes 104)	1
28	114672	WASHER, thrust	2	104	118852	SCREW, thd forming, hex washer hd	3
30	114699	WASHER, thrust	1	105	15C858	HANGER, stand, cart	1
31	118444	SCREW, mach, slot hex wash hd	4	106	15C982	CAM, cart	2
36	116192	WASHER, thrust	1	107	114531	SCREW, mach, hex washer hd	4
37	100057	SCREW, cap, hex hd	4	123	276980	GROMMET, cover	2
41	15G880	FITTING, pump, quick disconnect	1	124	119250	SCREW, shoulder	3
43	119778	SPRING, retaining	1	126	15D088	FAN, motor	1
44	15F110	PIN, pump	1	127	115477	SCREW, mach, torx pan hd	1
48	189920	STRAINER, (1-11 1/2 npsm)	1	129	240797	HOSE, coupled, 3/8 x 50	1
51	287292	COVER, drive, plastic, painted (includes 31)	1	130	289605	GUN, spray, texture	1
55	C20195	O-RING	1	143	15Y118	LABEL, Made in the USA	1
58	287282	SHIELD, motor, painted (includes 123, 124)	1	151	109450	PACKING, o-ring	1
62	288663	FRAME, cart	1	154	15F584	LABEL, ProConnect	1
71	15F117	LABEL, front, Mark V	1	156	288899	SHELF, pem assembly	1
72	15F118	LABEL, side, Mark V	1	159	278075	BRACKET, wire	1
83	287933	HOUSING, bearing	1	187	108795	SCREW, mach, pnh	4
84	257187	MOTOR, electric, C104 (includes 126, 127)	1				

Parts List - Mark V Max

Ref.	Part	Description	Qty.	Ref.	Part	Description	Qty.
6	15C753	SCREW, mach, hex wash hd	5	90	287295	HOUSING, drive (includes 6, 36, 90a)	1
8	15E891	CLIP, retaining	2	90a	194173	WASHER, thrust	1
10	156306	WASHER, flat	2	91	287928	PUMP, displacement, hd, Mark V (includes 41, 55 and manual)	1
11	119509	WHEEL, pneumatic	2	93	287952	HOSE, drain (includes 87)	1
12	106115	WASHER, lock (hi-collar)	4	94	288659	HOSE, coupled, 1/2 (includes 157)	1
14	114666	SCREW, cap, socket head	4	103	287253	TOOL BOX (includes 104)	1
17	276974	CAP, leg	2	104	118852	SCREW, thd forming, hex washer hd	3
19	112746	NUT, lock, nylon, thin pattern	8	105	15Y455	BAR, kick stand	1
22	116038	WASHER, wave spring	2	106	15C982	CAM, cart	2
23	110963	SCREW, cap, flange head	2	107	114531	SCREW, mach, hex washer hd	4
28	114672	WASHER, thrust	2	123	276980	GROMMET, cover	2
30	114699	WASHER, thrust	1	124	119250	SCREW, shoulder	3
31	118444	SCREW, mach, slot hex wash hd	4	126	15D088	FAN, motor	1
36	116192	WASHER, thrust	1	127	115477	SCREW, mach, torx pan hd	1
37	100057	SCREW, cap, hex hd	4	130	289605	GUN, spray, texture	1
41	15G880	FITTING, pump, quick disconnect	1	143	15Y118	LABEL, Made in the USA	1
43	119778	SPRING, retaining	1	151	109450	PACKING, o-ring	1
44	15F110	PIN, pump	1	154	15F584	LABEL, ProConnect	1
48	189920	STRAINER, (1-11 1/2 npsm)	1	156	288899	SHELF, pem assembly	1
51	16N409	COVER, drive, plastic, painted (includes 31)	1	159	278075	BRACKET, wire	1
55	C20195	O-RING	1	160	278083	BRACKET, hose wrap	1
58	287282	SHIELD, motor, painted (includes 123, 124)	1	165	117633	SCREW, slot hex wash hd	2
62	24J083	FRAME, Platinum, Mark V	1	166	24B194	TRANSMITTER, pressure, remote	1
83	287933	HOUSING, bearing	1	189	16N555	LABEL, brand, Mark Max	1
84	257187	MOTOR, electric, C104 (includes 126, 127)	1	190	16N557	LABEL, brand, Mark V Max, front	1
85	287472	ROD, connecting (includes 43, 44)	1	191	16N564	LABEL, brand, side	1
87	241920	DEFLECTOR, threaded	1	192	16N565	LABEL, brand, Platinum	2
89	287290	GEAR, combination (includes 28, 30)	1				

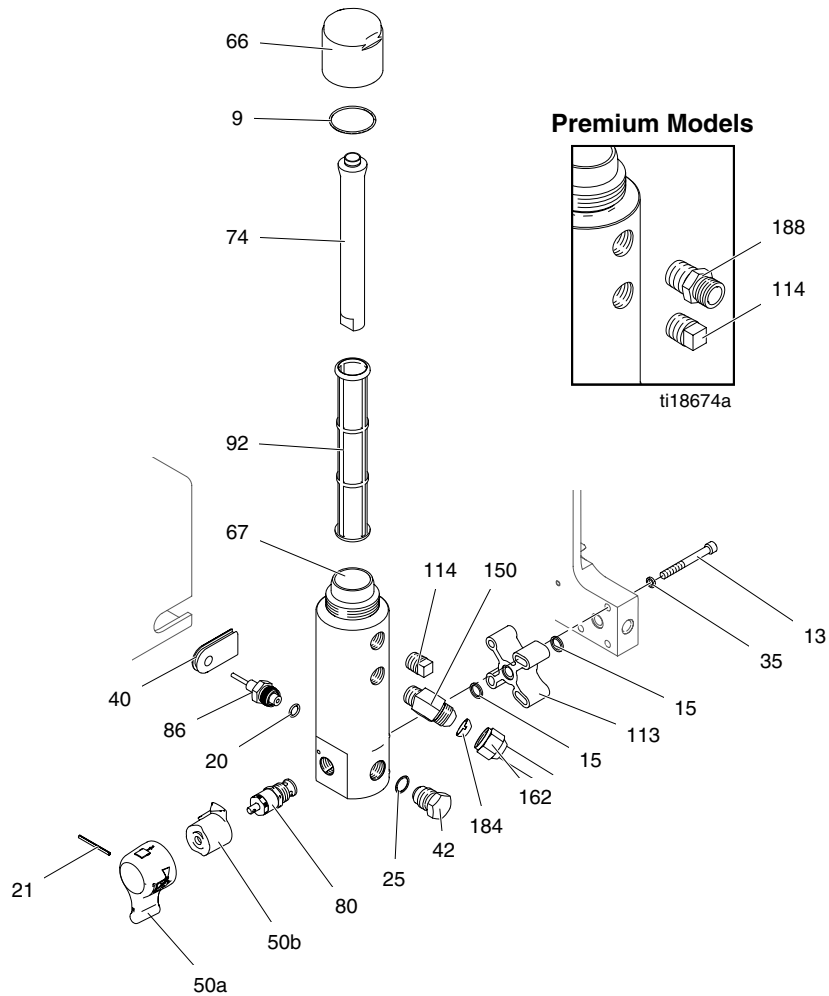
Parts - Mark V Control Box and Board



Parts List - Mark V Control Box and Board

Ref.	Part	Description	Qty.	Ref.	Part	Description	Qty.
7	100721	PLUG, pipe	1	75	15D528	CORD, power, CE 7/7 Euro	1
23	110963	SCREW, cap, flange head	2		15D529	CORD, power, multi	1
26	114391	SCREW, grounding	1		15D530	CORD, power, UK	1
27	113045	SCREW	6	75b	242005	CORD, adapter, Australia	1
29	15V996	GROMMET, motor lead	1	75c	287121	CORD SET, Italy, Denmark, Switzerland	1
32	115522	SCREW	3	75d	242001	CORD, adapter, CE 7/7 European	1
33	15D527	SWITCH, rocker, 240V	1	78	16D640	GASKET	1
34	116167	KNOB, potentiometer	1	79	16D642	GASKET	1
38	116252	SCREW, #10, taptite phil	4	82	256219	POTENTIOMETR, assembly	1
39	112381	SCREW, mach, pan head	4	88		RECEIVER, board, control	1
49	195551	RETAINER, plug, adapter	1	96	257444	KIT, repair, (includes 32, 38, 57, 63, 65, 88)	1
52	258965	CONTROL, board, 240V	1	101	15V938	STUD, control board	6
57		PAD, foam	1	115	122725	GASKET, sealing	1
61	15D431	BOX, control, 240V	1		15C973	GASKET	1
63	15X508	LABEL, brand, Smartcontrol LCD	1	118	120185	FITTING, hydraulic	1
65	15X507	LABEL, brand, Smartcontrol E	1	131	119228	SCREW, mach, flat hd	4
	15K394	LABEL, control box cover	1	132	257905	CONTROL, board	1
68	15X480	PANEL, control	1	138	16G596	LABEL, warning icons intl	1
69	15V937	POWER BAR	1	147	15X903	LABEL, Euro Platinum	1
70	15D036	GASKET, control box	1	158	258644	SWITCH, reed	1

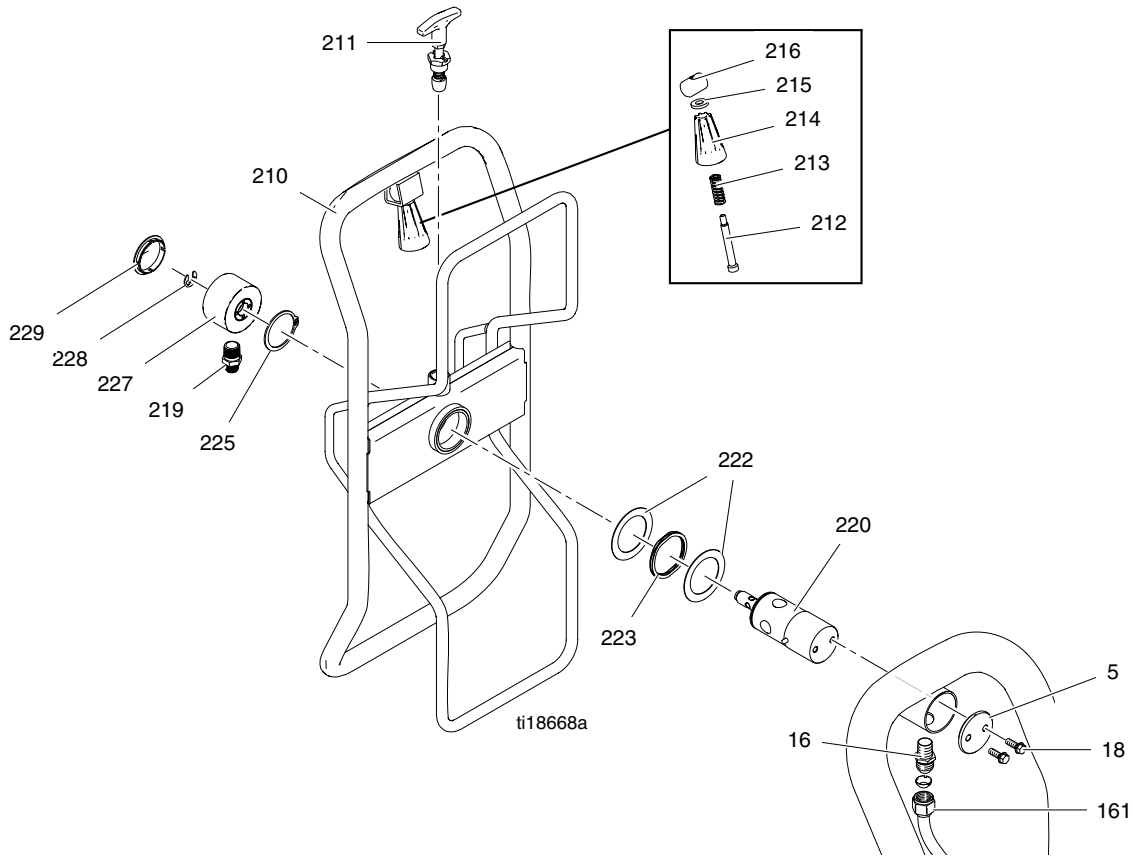
Parts - Filter Assembly



Parts List - Filter Assembly

Ref.	Part	Description	Qty.	Ref.	Part	Description	Qty.
9	117285	PACKING, o-ring	1	74	15C766	TUBE, diffusion	1
13	C19817	SCREW, cap, socket head	3	80	24A381	VALVE, prime, heavy duty	1
15	121513	PACKING, square ring	2	86	243222	TRANSDUCER, pressure control	1
20	111457	PACKING, o-ring	1	92	244071	FILTER, fluid 30 mesh	1
21	15C972	PIN, spring	1		244067	FILTER, fluid 60 mesh, original equip	1
25	15D541	SEAL, washer	1		244068	FILTER, fluid 100 mesh	1
35	105510	WASHER, lock, spring (hi-collar)	3		244069	FILTER, fluid 200 mesh	1
40	15D033	GROMMET, transducer	1	113	15F844	SPACER, manifold	1
42	248314	PLUG, Auto Clean (includes 25)	1	114	104813	PLUG, pipe	1
50a	24E233	HANDLE, prime valve, fast flush (includes 50a, 50b, 21)	1	150	122533	FITTING, 45 deg elbow, #8 jic x 3/8	1
50b		CAM, prime valve, fast flush	1	162	24J081	TUBE, formal	1
66	15C765	CAP, filter	1	184	123739	SEAL, fitting, flared	2
67	15C838	BASE, filter	1	188	162485	ADAPTER, nipple	1

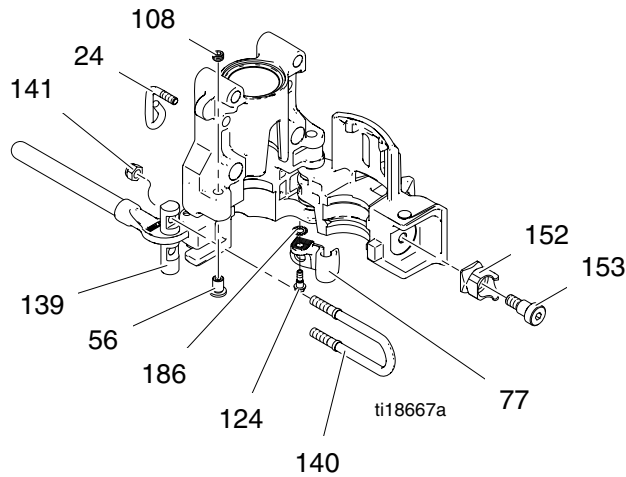
Parts - Hose Reel



Parts List - Hose Reel

Ref.	Part	Description	Qty.	Ref.	Part	Description	Qty.
5	16C975	PLATE, pivot mount	1	215	122669	WASHER, flat	1
16	121311	FITTING, connector, npt x jic	1	216	15X618	NUT, swivel, handle	1
18	260212	SCREW, hex washer hd, thd form	2	219	162485	ADAPTER	1
161	24J081	TUBE, formed, ultra platinum	1	220		TUBE, hose reel, pivot	1
210	24B691	REEL, hose, ultra platinum, compl	1	222	122607	WASHER, flat	2
211	24E400	PIN, pop, lock out	1	223	122534	SPRING, wave	1
212	122518	SCREW, shoulder, sch	1	225	122524	RING, retaining, external	1
213	122542	SPRING, die	1	227	24B248	CAP, swivel, complete	1
214	278085	HANDLE, swivel	1	228	122347	RING, retaining, external	1
				229	122787	CAP	1

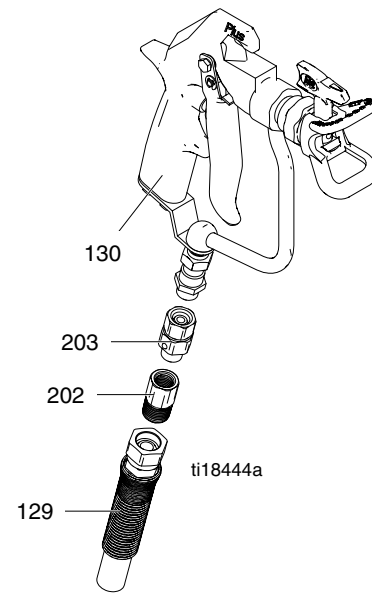
Parts - Bearing Housing



Parts List - Bearing Housing

Ref.	Part	Description	Qty.
24	15F116	LATCH, handle	1
56	15F498	SCREW, adjustment	1
77	278204	CLIP, drain line	1
108	15F503	SCREW, set, socket head	1
124	119250	SCREW, shoulder	3
139	15E625	PIN, housing, bearing	1
140	15G890	LATCH, bearing housing	1
141	111040	NUT, lock, insert, nylock, 5/16	2
152	15G584	RECEIVER, clamp	1
153	116942	SCREW, shoulder, skt hd	1
186	100985	WASHER, lock, ext	1

Parts - Gun



Parts List - Gun

Ref.	Part	Description	Qty.
129	240797	HOSE, coupled, 3/8 x 50	2
130	289605	GUN, spray, texture	1
202	159841	BUSHING, 3/8 x 1/4	1
203	189018	SWIVEL	1

Graco Standard Warranty

Graco warrants all equipment referenced in this document which is manufactured by Graco and bearing its name to be free from defects in material and workmanship on the date of sale to the original purchaser for use. With the exception of any special, extended, or limited warranty published by Graco, Graco will, for a period of twelve months from the date of sale, repair or replace any part of the equipment determined by Graco to be defective. This warranty applies only when the equipment is installed, operated and maintained in accordance with Graco's written recommendations.

This warranty does not cover, and Graco shall not be liable for general wear and tear, or any malfunction, damage or wear caused by faulty installation, misapplication, abrasion, corrosion, inadequate or improper maintenance, negligence, accident, tampering, or substitution of non-Graco component parts. Nor shall Graco be liable for malfunction, damage or wear caused by the incompatibility of Graco equipment with structures, accessories, equipment or materials not supplied by Graco, or the improper design, manufacture, installation, operation or maintenance of structures, accessories, equipment or materials not supplied by Graco.

This warranty is conditioned upon the prepaid return of the equipment claimed to be defective to an authorized Graco distributor for verification of the claimed defect. If the claimed defect is verified, Graco will repair or replace free of charge any defective parts. The equipment will be returned to the original purchaser transportation prepaid. If inspection of the equipment does not disclose any defect in material or workmanship, repairs will be made at a reasonable charge, which charges may include the costs of parts, labor, and transportation.

THIS WARRANTY IS EXCLUSIVE, AND IS IN LIEU OF ANY OTHER WARRANTIES, EXPRESS OR IMPLIED, INCLUDING BUT NOT LIMITED TO WARRANTY OF MERCHANTABILITY OR WARRANTY OF FITNESS FOR A PARTICULAR PURPOSE.

Graco's sole obligation and buyer's sole remedy for any breach of warranty shall be as set forth above. The buyer agrees that no other remedy (including, but not limited to, incidental or consequential damages for lost profits, lost sales, injury to person or property, or any other incidental or consequential loss) shall be available. Any action for breach of warranty must be brought within two (2) years of the date of sale.

GRACO MAKES NO WARRANTY, AND DISCLAIMS ALL IMPLIED WARRANTIES OF MERCHANTABILITY AND FITNESS FOR A PARTICULAR PURPOSE, IN CONNECTION WITH ACCESSORIES, EQUIPMENT, MATERIALS OR COMPONENTS SOLD BUT NOT MANUFACTURED BY GRACO. These items sold, but not manufactured by Graco (such as electric motors, switches, hose, etc.), are subject to the warranty, if any, of their manufacturer. Graco will provide purchaser with reasonable assistance in making any claim for breach of these warranties.

In no event will Graco be liable for indirect, incidental, special or consequential damages resulting from Graco supplying equipment hereunder, or the furnishing, performance, or use of any products or other goods sold hereto, whether due to a breach of contract, breach of warranty, the negligence of Graco, or otherwise.

FOR GRACO CANADA CUSTOMERS

The Parties acknowledge that they have required that the present document, as well as all documents, notices and legal proceedings entered into, given or instituted pursuant hereto or relating directly or indirectly hereto, be drawn up in English. Les parties reconnaissent avoir convenu que la rédaction du présente document sera en Anglais, ainsi que tous documents, avis et procédures judiciaires exécutés, donnés ou intentés, à la suite de ou en rapport, directement ou indirectement, avec les procédures concernées.

Graco Information

For the latest information about Graco products, visit www.graco.com.

TO PLACE AN ORDER, contact your Graco distributor or call 1-800-690-2894 to identify the nearest distributor.

*All written and visual data contained in this document reflects the latest product information available at the time of publication.
Graco reserves the right to make changes at any time without notice.*

Original instructions. This manual contains English. MM 3A2245

Graco Headquarters: Minneapolis

International Offices: Belgium, China, Japan, Korea

GRACO INC. AND SUBSIDIARIES • P.O. BOX 1441 • MINNEAPOLIS MN 55440-1441 • USA

Copyright 2009, Graco Inc. All Graco manufacturing locations are registered to ISO 9001.

www.graco.com
Revision A - 2012